

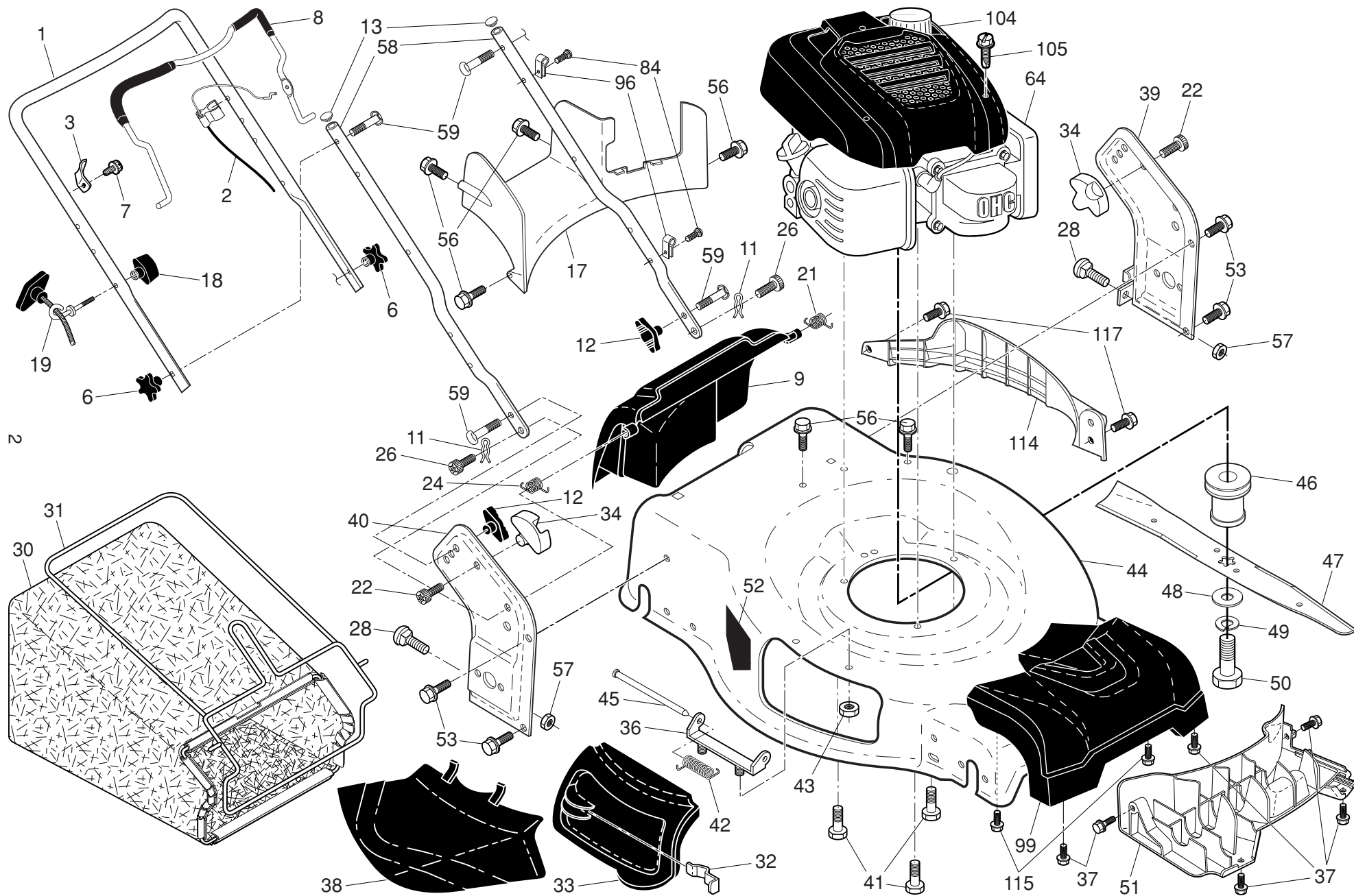
ILLUSTRATED PARTS LIST

MODEL NUMBER LC 356AWD

PRODUCT NUMBER 961 41 02-92

MFG. ID. NUMBER 96141029200

HUSQVARNA LAWN MOWER - MODEL NUMBER LC 356AWD (96141029200) PRODUCT NO. 961 41 02-92

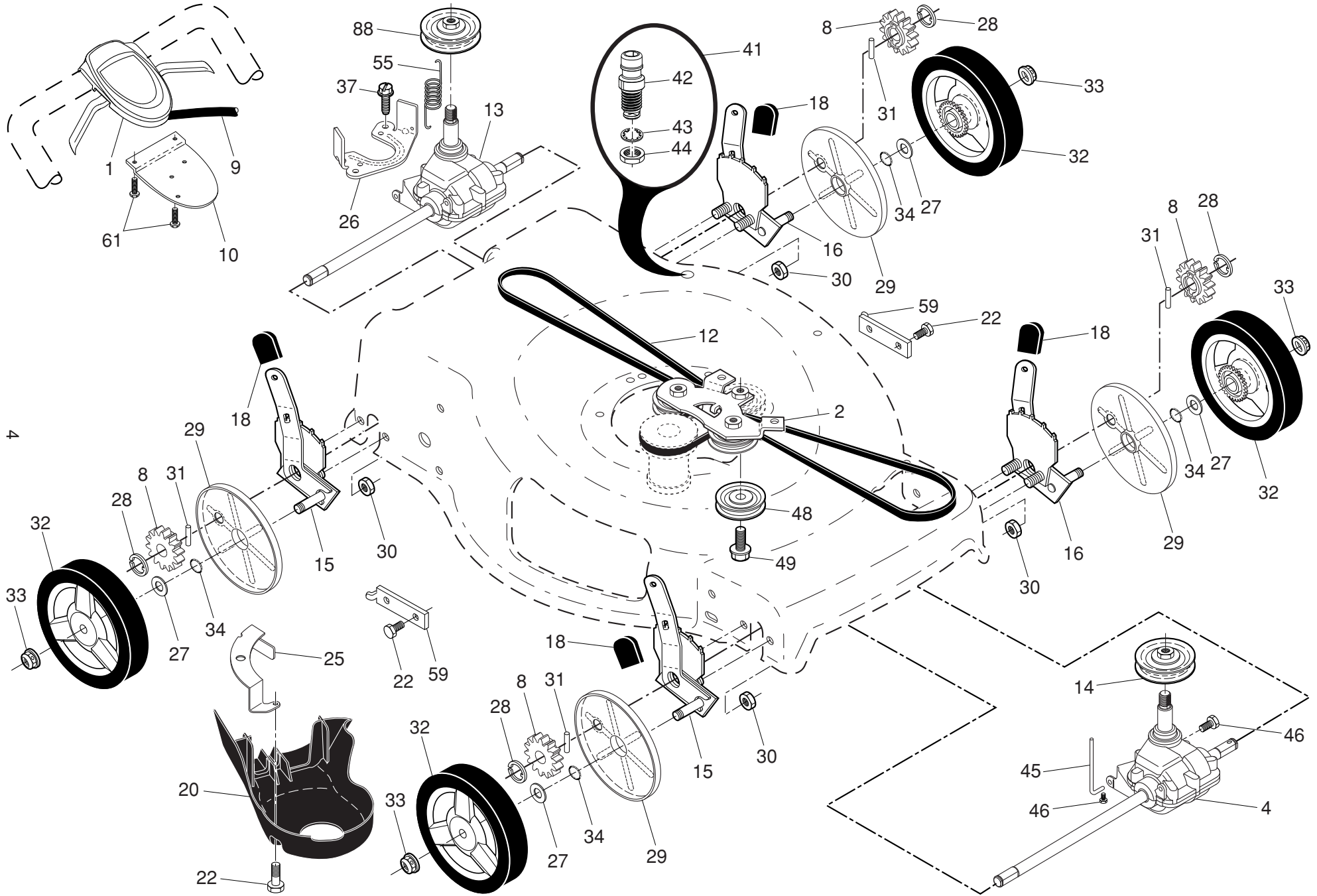


HUSQVARNA LAWN MOWER - MODEL NUMBER LC 356AWD (96141029200) PRODUCT NO. 961 41 02-92

KEY NO.	PART NO.	DESCRIPTION	KEY NO.	PART NO.	DESCRIPTION
1	580 63 87-06	Upper Handle Assembly	44	581 68 49-01	Kit, Lawn Mower Housing
2	532 42 74-97	Cable, Engine Zone Control	45	532 17 56-50	Rod, Hinge
3	532 43 00-34	Bracket, Upstop	46	581 85 15-01	Blade Adapter / Pulley
6	532 18 23-98	Handle Knob, Star	47	580 24 40-01	Blade, 22"
7	532 17 88-48	Screw #10-16 x 5/8	48	532 85 10-74	Washer, Hardened
8	580 84 91-02	Control Bar, Overmolded	49	532 85 02-63	Washer, Helical
9	532 43 13-91	Rear Door Assembly	50	532 85 10-84	Screw, Machine, Hex Head 3/8-24 x 1-3/8 Grade 8
11	532 42 55-75	Hairpin, Door/Handle Pivot	51	581 23 89-01	Front Baffle
12	532 19 19-38	Handle Knob, Standard	52	532 18 21-66	Decal, Warning, Cut Finger
13	532 43 75-16	Plug, Lower Handle Bar	53	817 00 05-10	Screw
17	581 78 21-01	Rear Baffle	56	817 41 13-12	Screw, Hex Washer Head #13 x 3/4
18	581 91 26-01	T-Knob	57	532 15 53-77	Nut, Hex
19	581 90 21-01	Rope Guide	58	532 44 11-97	Lower Handle
21	532 41 99-49	Spring, Rear Door, LH, Black	59	532 19 15-74	Handle Bolt
22	532 14 18-41	Screw, Panhead, Torx #20	52	532 18 21-66	Decal, Warning, Cut Finger
24	532 41 99-48	Spring, Rear Door, RH, Grey	64	- - -	Engine, Honda, Model Number GCV160-LAOS3DB (Order parts from Honda Engines)
26	532 41 99-45	Screw, Rear Door/Handle Pivot	84	532 42 81-24	Fastener, Push
28	586 21 25-01	Bolt, Carriage 5/16-18 x 5/8	96	532 19 79-91	Clip, Cable
30	580 94 34-02	Grassbag	99	580 99 29-01	Front Shroud Assembly
31	585 05 47-02	Frame, Grass Catcher	104	580 29 00-01	Shroud, Engine
32	532 44 11-92	Latch, Mulcher Door	105	580 76 87-01	Mounting Screw, Engine Shroud
33	532 41 99-27	Mulcher Door	114	581 25 36-01	Bumper, Side
34	532 43 81-34	Bracket, Grassbag	115	581 33 00-01	Screw
36	532 17 57-35	Bracket, Hinge	117	532 42 88-67	Bolt
37	584 29 94-01	Screw	- -	115 62 49-20	Operator's Manual, European
38	532 42 61-29	Discharge Deflector	- -	115 62 49-10	Operator's Manual, Scandinavian
39	585 90 07-03	Handle Bracket, LH	- -	115 62 49-50	Operator's Manual, East Bloc
40	585 90 08-03	Handle Bracket, RH	- -	115 62 49-40	Operator's Manual, Baltic
41	532 15 04-06	Screw, Dogpoint 3/8-16 x 1-1/8			
42	532 19 30-00	Spring, Hinge			
43	532 19 17-30	Nut, Hex			

NOTE: All component dimensions given in U.S. inches. 1 inch = 25.4 mm. **IMPORTANT:** Use only Original Equipment Manufacturer (O.E.M.) replacement parts. Failure to do so could be hazardous, damage your lawn mower and void your warranty.

HUSQVARNA LAWN MOWER - MODEL NUMBER LC 356AWD (96141029200) PRODUCT NO. 961 41 02-92



HUSQVARNA LAWN MOWER - MODEL NUMBER LC 356AWD (96141029200) PRODUCT NO. 961 41 02-92

KEY NO.	PART NO.	DESCRIPTION	KEY NO.	PART NO.	DESCRIPTION
1	581 95 05-05	Drive Control Assembly (Includes Cable)	29	581 84 04-01	Cover, Dust, Wheel
2	586 07 28-02	Mounting Bracket, Idler Pulleys	30	532 43 81-30	Nut, Hex
4	585 30 57-01	Gearcase Assembly, Front, Complete	31	532 40 48-45	Pawl, Drive
8	532 40 48-35	Pinion	32	580 36 53-01	Wheel & Tire Assembly
9	581 95 21-01	Cable, Drive	33	532 40 91-48	Nut, Flangelock 3/8-16
10	532 43 27-90	Mounting Bracket, Drive Control	34	532 19 74-80	O-Ring
12	580 36 46-02	Belt, Drive	37	532 16 34-09	Screw, Hi-Lo Thread, #12 x 5/8
13	581 68 08-01	Gearcase Assembly, Rear, Complete	41	532 43 84-89	Kit, Water Washout Assembly
14	586 03 84-01	Pulley, Drive, Front	42	532 43 49-94	Fitting, Water Washout
15	581 49 79-01	Wheel Adjuster Assembly, RH	43	532 41 55-85	Washer, Lock, Internal Tooth
16	581 49 79-02	Wheel Adjuster Assembly, LH	44	532 41 55-86	Locknut, Hex, with O-Ring
18	532 70 10-37	Knob, Wheel Adjuster	45	581 24 13-01	Belt Keeper, Gearcase, Front
20	580 80 69-01	Debris Shield	46	584 29 94-01	Screw
22	817 00 05-10	Screw, Hex Head 1/4-20	48	581 90 40-01	Pulley Assembly, Idler
25	532 42 60-65	Mounting Bracket, Debris Shield	49	581 33 45-01	Screw, Mounting, Idler Pulley
26	581 15 25-02	Belt Keeper, Gearcase, Rear	55	581 35 13-01	Spring, Tension
27	532 06 77-25	Washer, Flat	59	532 44 21-13	Support Bracket
28	812 00 00-58	E-Ring 7/16	61	532 18 16-98	Screw
			88	532 19 41-28	Pulley, Drive, Rear

NOTE: All component dimensions given in U.S. inches. 1 inch = 25.4 mm. **IMPORTANT:** Use only Original Equipment Manufacturer (O.E.M.) replacement parts. Failure to do so could be hazardous, damage your lawn mower and void your warranty.