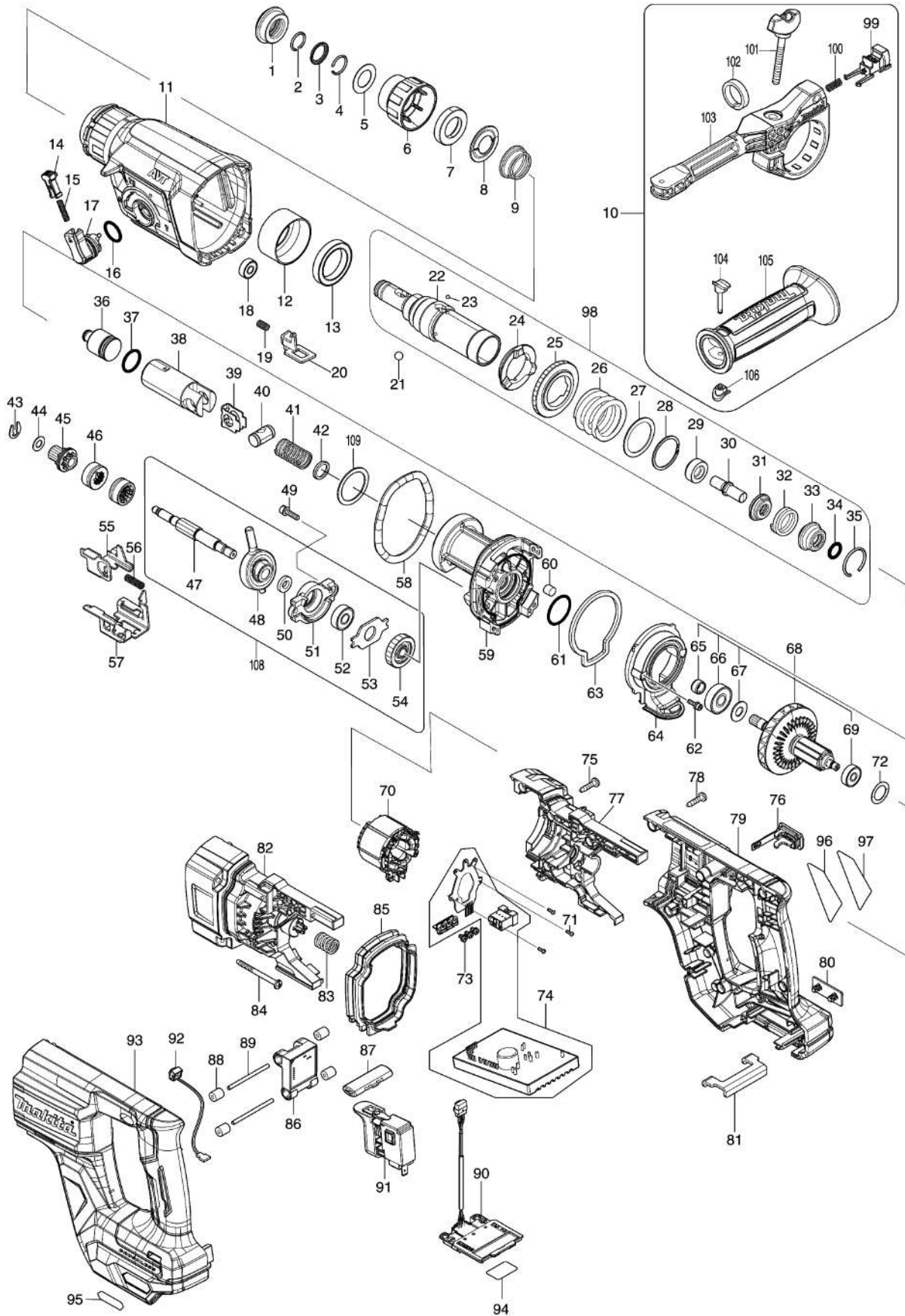


Model No.HR007G 28MM CORDLESS ROTARY HAMMER



Model No.HR007G 28MM CORDLESS ROTARY HAMMER

Item	Parts No.	Description	I/C	Qty	New/Old	Opt. 1	Opt. 2	Note
001	286288-8	CAP 35		1				
002	233989-9	RING SPRING 14		1				
003	346834-0	WASHER 16		1				
004	233992-0	RING SPRING 15		1				
005	267114-0	FLAT WASHER 17		1				
006	455393-4	CHUCK COVER		1				
007	325813-1	RING 21		1				
008	346177-0	GUIDE WASHER		1				
009	233916-6	CONICAL COMP. SPRING 21-29		1				
010	122A94-2	GRIP ASSEMBLY		1				
D10		INC. 99-106						
011	140D00-3	GEAR HOUSING COMPLETE		1				
C10	213636-8	OIL SEAL 25		1				
012	331890-3	CUP SLEEVE		1				
013	211294-4	BALL BEARING 6806LLU		1				
014	457709-9	LOCK BUTTON		1				
015	234264-6	COMPRESSION SPRING 3		1				
016	213278-8	O RING 17		1				
017	161656-5	CHANGE LEVER COMPLETE		1				
018	210028-2	BALL BEARING 606ZZ		1				
019	233360-7	COMPRESSION SPRING 4		1				
020	347228-2	LOCK PLATE		1				
021	216022-2	STEEL BALL 7.0		2				
022	142972-4	TOOL HOLDER COMPLETE		1				
C10	213344-1	OIL SEAL 9		1				
023	216019-1	STEEL BALL 3		4				
024	332139-4	DRIVING FLANGE		1				
025	227360-7	SPUR GEAR 51		1				
026	234148-8	COMPRESSION SPRING 31		1				
027	267153-0	FLAT WASHER 30		1				
028	257932-4	SPIRO LOCK WASHER 30		1				
029	325783-4	SLEEVE 9B		1				
030	325789-2	IMPACT BOLT A		1				
031	325792-3	WASHER 10		1				
032	234149-6	COMPRESSION SPRING 20		1				
033	325793-1	O-RING CASE B		1				
034	213073-6	O RING 9		1				
035	233979-2	RING SPRING 28		1				
036	327890-9	STRIKER		1				
037	213258-4	O RING 17.5		1				
038	327079-9	PISTON CYLINDER		1				
039	346036-8	GUIDE PLATE		1				

Please order the parts with part number.

Print Date 17/11/2021

Model No.HR007G 28MM CORDLESS ROTARY HAMMER

Item	Parts No.	Description	I/C	Qty	New/Old	Opt. 1	Opt. 2	Note
040	324215-8	PISTON JOINT		1				
041	232752-7	COMPRESSION SPRING 14		1				
042	253569-5	CUP WASHES 14		1				
043	257336-0	STOP RING EXT U-6		1				
044	253186-1	FLAT WASHER 7		1				
045	227359-2	SPUR GEAR 10		1				
046	310678-4	CLUTCH CAM		2				
047	327889-4	CAM SHAFT		1				
048	219030-2	SWASH BEARING 10		1				
049	266437-3	HEX. SOCKET HEAD BOLT M4X16		2				
050	257321-3	RING 8		1				
051	310344-3	BEARING BOX		1				
052	211032-4	BALL BEARING 608ZZ		1				
053	285735-6	BEARING RETAINER		1				
054	227719-8	HELICAL GEAR 26		1				
055	347230-5	CHANGE PLATE B		1				
056	234343-0	COMPRESSION SPRING 5		1				
057	347882-2	CHANGE PLATE A		1				
058	213728-3	O-RING 68		1				
059	141F42-2	INNER HOUSING COMPLETE		1				
C10	213678-2	OIL SEAL 12		1				
060	443153-6	FELT		1				
061	213407-3	O RING 26		1				
062	251568-1	H.S.H.BOLT M3X12 WITH WR		2				
063	422780-2	SPONGE SHEET		1				
064	413A23-9	AIR DUCT		1				
065	262207-8	SLEEVE 9		1				
066	210042-8	BALL BEARING 629LLB		1				
067	253733-8	FLAT WASHER 9		1				
068	519715-3	ROTOR ASS'Y		1				
D10		INC. 65-67,69						
069	210022-4	BALL BEARING 626DDW		1				
070	629A89-1	STATOR		1				
071	266490-9	TAPPING SCREW PT 2X6		3				
072	267804-5	WAVE WASHER 15		1				
073	652069-6	FLAT HEAD SCREW M3X6		3				
074	620G33-7	CONTROLLER		1				
075	266326-2	TAPPING SCREW 4X18		5				
076	140G30-2	CAP COMPLETE		1				
C10	213A05-9	O-RING16		1				
077	183U22-2	MOTOR HOUSING SET		1				
D10		INC. 82						

Please order the parts with part number.

Print Date 17/11/2021

Model No.HR007G 28MM CORDLESS ROTARY HAMMER

Item	Parts No.	Description	I/C	Qty	New/Old	Opt. 1	Opt. 2	Note
078	266326-2	TAPPING SCREW 4X18		7				
079	183U19-1	HANDLE SET		1				
C10	263005-3	RUBBER PIN 6		2				
D10		INC. 93						
080	459753-2	CAP		1				
081	347885-6	SUPPORT PLATE		1				
082	183U22-2	MOTOR HOUSING SET		1				
D10		INC. 77						
083	232436-7	COMPRESSION SPRING 10		1				
084	266091-3	TAPPING SCREW 4X50		4				
085	422779-7	BELLOWS		1				
086	620G35-3	ACCELEROMETER CIRCUIT		1				
087	453124-5	F/R CHANGE LEVER		1				
088	422472-3	SPONGE SLEEVE 3		4				
089	256886-2	ROD 3		2				
090	632R98-3	TERMINAL UNIT		1				
091	651439-6	SWITCH C3JR-4B-2		1				
092	620G34-5	LED CIRCUIT		1				
093	183U19-1	HANDLE SET		1				
C10	263005-3	RUBBER PIN 6		2				
D10		INC, 79						
094	8113R6-5	HR007G SERIAL NO. LABEL		1				
095	8012U4-2	XGT LOGO LABEL		1				
096	8113P9-5	HR007G NAME PLATE		1				
097	8043W5-9	CLEAR LABEL		1				
098	135966-6	TOOL HOLDER ASSY		1				
D10		INC. 22-35						
099	144959-2	LOCK BUTTON COMPLETE		1				
100	233360-7	COMPRESSION SPRING 4		1				
101	265625-9	THUMB SCREW M6X50		1				
102	422258-5	SPONGE SHEET		1				
103	413A49-1	SIDE HANDLE BASE		1				
C10	931302-2	HEX. NUT M6		1				
104	161838-9	FIX PIN		1				
105	458357-7	GRIP 36		1				
106	422255-1	CAP		1				
108	136584-3	CAM SHAFT ASS'Y		1				
D10		INC. 47,48,50-54						
109	267153-0	FLAT WASHER 30		1				
A01	198993-4	GREASE VESSEL SET		1				
A02	331886-4	DEPTH GAUGE		1				
A03	413A50-6	AIR DUCT CAP		1				

Please order the parts with part number.

Print Date 17/11/2021

Model No.HR007G 28MM CORDLESS ROTARY HAMMER

Item	Parts No.	Description	I/C	Qty	New/Old	Opt. 1	Opt. 2	Note
A04	443122-7	CLOTH		1				
A05B	821864-7			1				
C10	162271-8	LATCH		2				
A07B	412393-7	BATTERY COVER		1				
A08B	191B26-6	BATTERY BL4040 SET		2				
A09B	***DC40RA	DC40RA FAST CHARGER		1				
D10		COMPO-PARTS						
B01	199233-3	HAMMER SERVICE KIT		1				
C10	195127-0	OIL VESSEL SET		2				
D10		INC. 1,2,4,21,34,35,37						

Please order the parts with part number.

Print Date 17/11/2021