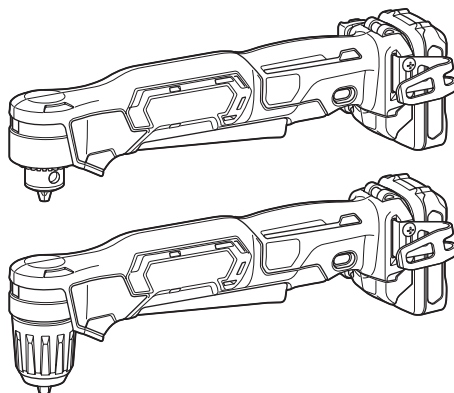




EN	Cordless Angle Drill	INSTRUCTION MANUAL	4
SV	Sladdlös vinkelbormmaskin	BRUKSANVISNING	9
NO	Batteridrevet vinkelboremaskin	BRUKSANVISNING	14
FI	Akkukulmaporakone	KÄYTTÖOHJE	19
LV	Bezvada leņķa urbmašīna	LIETOŠANAS INSTRUKCIJA	24
LT	Akumuliatorinis kampinis grąžtas	NAUDOJIMO INSTRUKCIJA	29
ET	Juhtmeta nurktrull	KASUTUSJUHEND	34
RU	Аккумуляторная угловая дрель	РУКОВОДСТВО ПО ЭКСПЛУАТАЦИИ	39

DA332D
DA333D



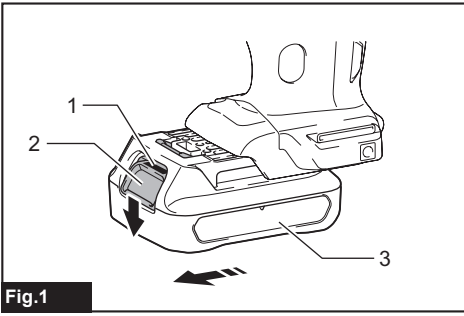


Fig.1

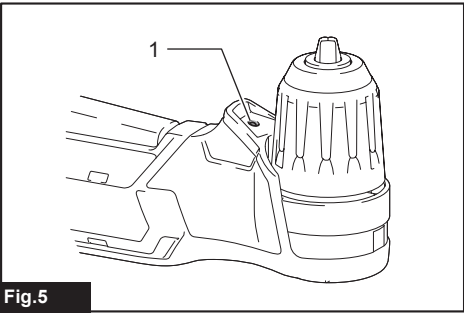


Fig.5

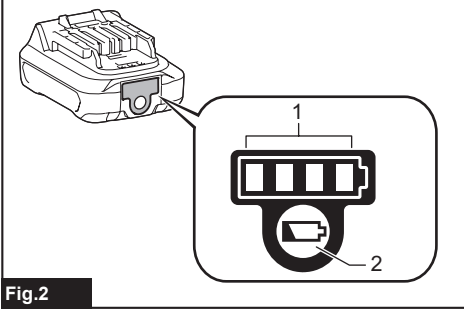


Fig.2

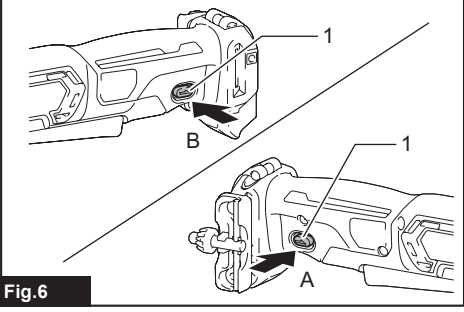


Fig.6

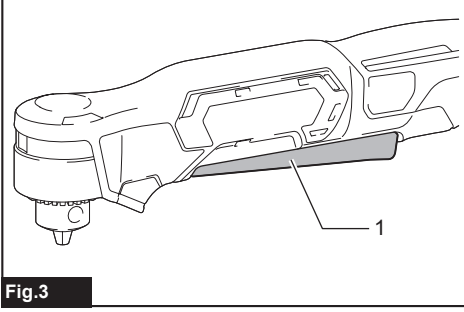


Fig.3

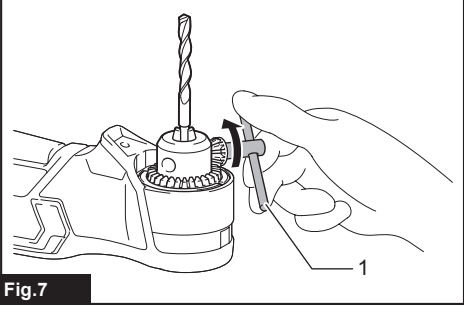


Fig.7

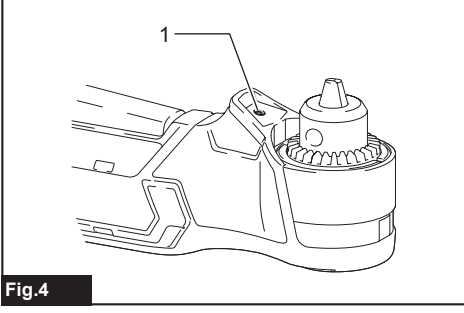


Fig.4

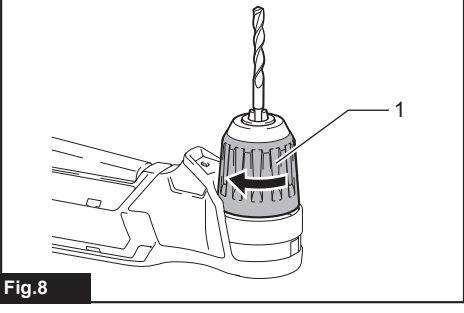


Fig.8

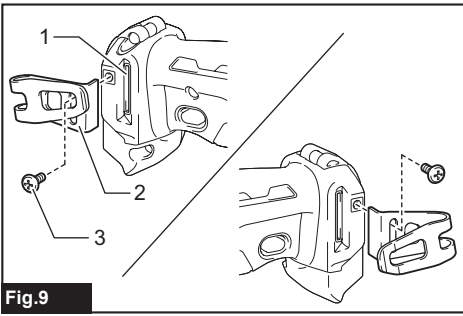


Fig.9

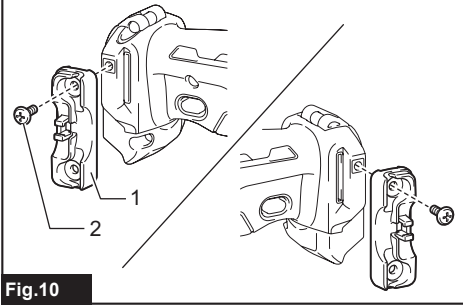


Fig.10

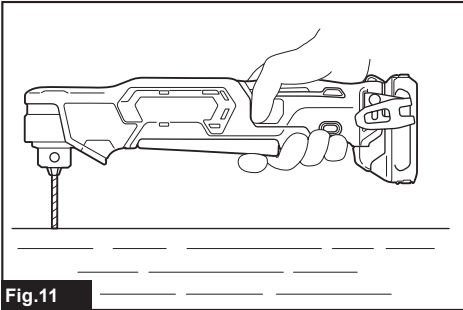


Fig.11

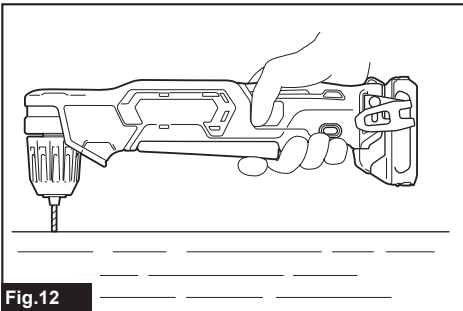


Fig.12

SPECIFICATIONS

Model:		DA332D	DA333D
Drilling capacities	Steel	10 mm	
	Wood	12 mm	
No load speed		0 - 1,100 min ⁻¹	
Overall length		313 mm - 332 mm	
Rated voltage		D.C. 10.8 V - 12 V max	
Battery cartridge		BL1015 / BL1016 / BL1020B / BL1021B / BL1040B / BL1041B	
Net weight		1.2 - 1.3 kg	1.2 - 1.4 kg

- Due to our continuing program of research and development, the specifications herein are subject to change without notice.
- Specifications and battery cartridge may differ from country to country.
- The weight may differ depending on the attachment(s), including the battery cartridge. The lightest and heaviest combination, according to EPTA-Procedure 01/2014, are shown in the table.

Intended use

The tool is intended for drilling in wood, metal and plastic.

Noise

The typical A-weighted noise level determined according to EN60745:

Model DA332D

Sound pressure level (L_{pA}): 70 dB(A) or less
Uncertainty (K): 3 dB(A)

Model DA333D

Sound pressure level (L_{pA}): 70 dB(A) or less
Uncertainty (K): 3 dB(A)

The noise level under working may exceed 80 dB (A).

⚠ WARNING: Wear ear protection.

Vibration

The vibration total value (tri-axial vector sum) determined according to EN60745:

Model DA332D

Work mode: drilling into metal
Vibration emission ($a_{n,D}$): 2.5 m/s² or less
Uncertainty (K): 1.5 m/s²

Model DA333D

Work mode: drilling into metal
Vibration emission ($a_{n,D}$): 3.0 m/s²
Uncertainty (K): 1.5 m/s²

NOTE: The declared vibration emission value has been measured in accordance with the standard test method and may be used for comparing one tool with another.

NOTE: The declared vibration emission value may also be used in a preliminary assessment of exposure.

⚠ WARNING: The vibration emission during actual use of the power tool can differ from the declared emission value depending on the ways in which the tool is used.

⚠ WARNING: Be sure to identify safety measures to protect the operator that are based on an estimation of exposure in the actual conditions of use (taking account of all parts of the operating cycle such as the times when the tool is switched off and when it is running idle in addition to the trigger time).

EC Declaration of Conformity

For European countries only

The EC declaration of conformity is included as Annex A to this instruction manual.

SAFETY WARNINGS

General power tool safety warnings

⚠ WARNING: Read all safety warnings, instructions, illustrations and specifications provided with this power tool. Failure to follow all instructions listed below may result in electric shock, fire and/or serious injury.

Save all warnings and instructions for future reference.

The term "power tool" in the warnings refers to your mains-operated (corded) power tool or battery-operated (cordless) power tool.

Cordless drill safety warnings

1. Use auxiliary handle(s), if supplied with the tool. Loss of control can cause personal injury.
2. Hold power tool by insulated gripping surfaces, when performing an operation where the cutting accessory may contact hidden wiring. Cutting accessory contacting a "live" wire may make exposed metal parts of the power tool "live" and could give the operator an electric shock.
3. Always be sure you have a firm footing. Be sure no one is below when using the tool in high locations.
4. Hold the tool firmly.
5. Keep hands away from rotating parts.
6. Do not leave the tool running. Operate the tool only when hand-held.
7. Do not touch the drill bit or the workpiece immediately after operation; they may be extremely hot and could burn your skin.
8. Some material contains chemicals which may be toxic. Take caution to prevent dust inhalation and skin contact. Follow material supplier safety data.
9. If the drill bit cannot be loosened even you open the jaws, use pliers to pull it out. In such a case, pulling out the drill bit by hand may result in injury by its sharp edge.

SAVE THESE INSTRUCTIONS.

⚠WARNING: DO NOT let comfort or familiarity with product (gained from repeated use) replace strict adherence to safety rules for the subject product. MISUSE or failure to follow the safety rules stated in this instruction manual may cause serious personal injury.

Important safety instructions for battery cartridge

1. Before using battery cartridge, read all instructions and cautionary markings on (1) battery charger, (2) battery, and (3) product using battery.
2. Do not disassemble battery cartridge.
3. If operating time has become excessively shorter, stop operating immediately. It may result in a risk of overheating, possible burns and even an explosion.
4. If electrolyte gets into your eyes, rinse them out with clear water and seek medical attention right away. It may result in loss of your eyesight.
5. Do not short the battery cartridge:
 - (1) Do not touch the terminals with any conductive material.
 - (2) Avoid storing battery cartridge in a container with other metal objects such as nails, coins, etc.
 - (3) Do not expose battery cartridge to water or rain.

A battery short can cause a large current flow, overheating, possible burns and even a breakdown.

6. Do not store the tool and battery cartridge in locations where the temperature may reach or exceed 50 °C (122 °F).
7. Do not incinerate the battery cartridge even if it is severely damaged or is completely worn out. The battery cartridge can explode in a fire.
8. Be careful not to drop or strike battery.
9. Do not use a damaged battery.
10. The contained lithium-ion batteries are subject to the Dangerous Goods Legislation requirements.
For commercial transports e.g. by third parties, forwarding agents, special requirement on packaging and labeling must be observed.
For preparation of the item being shipped, consulting an expert for hazardous material is required. Please also observe possibly more detailed national regulations.
Tape or mask off open contacts and pack up the battery in such a manner that it cannot move around in the packaging.
11. Follow your local regulations relating to disposal of battery.

SAVE THESE INSTRUCTIONS.

⚠CAUTION: Only use genuine Makita batteries. Use of non-genuine Makita batteries, or batteries that have been altered, may result in the battery bursting causing fires, personal injury and damage. It will also void the Makita warranty for the Makita tool and charger.

Tips for maintaining maximum battery life

1. Charge the battery cartridge before completely discharged. Always stop tool operation and charge the battery cartridge when you notice less tool power.
2. Never recharge a fully charged battery cartridge. Overcharging shortens the battery service life.
3. Charge the battery cartridge with room temperature at 10 °C - 40 °C (50 °F - 104 °F). Let a hot battery cartridge cool down before charging it.

FUNCTIONAL DESCRIPTION

CAUTION: Always be sure that the tool is switched off and the battery cartridge is removed before adjusting or checking function on the tool.

Installing or removing battery cartridge

CAUTION: Always switch off the tool before installing or removing of the battery cartridge.

CAUTION: Hold the tool and the battery cartridge firmly when installing or removing battery cartridge. Failure to hold the tool and the battery cartridge firmly may cause them to slip off your hands and result in damage to the tool and battery cartridge and a personal injury.

► Fig.1: 1. Red indicator 2. Button 3. Battery cartridge

To remove the battery cartridge, slide it from the tool while sliding the button on the front of the cartridge.

To install the battery cartridge, align the tongue on the battery cartridge with the groove in the housing and slip it into place. Insert it all the way until it locks in place with a little click. If you can see the red indicator on the upper side of the button, it is not locked completely.

CAUTION: Always install the battery cartridge fully until the red indicator cannot be seen. If not, it may accidentally fall out of the tool, causing injury to you or someone around you.









CAUTION: Do not install the battery cartridge forcibly. If the cartridge does not slide in easily, it is not being inserted correctly.

Indicating the remaining battery capacity

Only for battery cartridges with the indicator

► Fig.2: 1. Indicator lamps 2. Check button

Press the check button on the battery cartridge to indicate the remaining battery capacity. The indicator lamps light up for a few seconds.

Indicator lamps		Remaining capacity
Lighted	Off	
		75% to 100%
		50% to 75%
		25% to 50%
		0% to 25%

NOTE: Depending on the conditions of use and the ambient temperature, the indication may differ slightly from the actual capacity.

Battery protection system

The tool is equipped with a battery protection system. This system automatically cuts off power to the motor to extend battery life.

The tool will automatically stop during operation if the tool and/or battery are placed under one of the following conditions:

Overloaded:

The tool is operated in a manner that causes it to draw an abnormally high current.

In this situation, turn the tool off and stop the application that caused the tool to become overloaded. Then turn the tool on to restart.

If the tool does not start, the battery is overheated. In this situation, let the battery cool before turning the tool on again.

Low battery voltage:

The remaining battery capacity is too low and the tool will not operate. If you turn the tool on, the motor does not run or the motor runs again but stops soon. In this situation, remove and recharge the battery.

Switch action

CAUTION: Before installing the battery cartridge into the tool, always check to see that the switch lever actuates properly and returns to the "OFF" position when released.

CAUTION: Be sure to hold the tool firmly before the tool is switched off.

► Fig.3: 1. Switch lever

To start the tool, simply pull the switch lever. Tool speed is increased by increasing pressure on the switch lever. Release the switch lever to stop.

Lighting up the front lamp

CAUTION: Do not look in the light or see the source of light directly.

For model DA332D

► Fig.4: 1. Lamp

For model DA333D

► Fig.5: 1. Lamp

Pull the switch lever to light up the lamp. The lamp keeps on lighting while the switch lever is being pulled. The light automatically goes out approximately 10 seconds after the switch lever is released.

NOTE: Use a dry cloth to wipe the dirt off the lens of the lamp. Be careful not to scratch the lens of lamp, or it may lower the illumination.

Reversing switch action

► **Fig.6:** 1. Reversing switch lever

⚠ CAUTION: Always check the direction of rotation before operation.

⚠ CAUTION: Use the reversing switch only after the tool comes to a complete stop. Changing the direction of rotation before the tool stops may damage the tool.

⚠ CAUTION: When not operating the tool, always set the reversing switch lever to the neutral position.

This tool has a reversing switch to change the direction of rotation. Depress the reversing switch lever from the A side for clockwise rotation or from the B side for counterclockwise rotation.

When the reversing switch lever is in the neutral position, the switch lever cannot be pulled.

ASSEMBLY

⚠ CAUTION: Always be sure that the tool is switched off and the battery cartridge is removed before carrying out any work on the tool.

Installing or removing drill bit

Optional accessory

For model DA332D

► **Fig.7:** 1. Chuck key

To install the drill bit, place it in the chuck as far as it will go. Tighten the chuck by hand. Place the chuck key in each of the three holes and tighten clockwise. Be sure to tighten all three chuck holes evenly.

To remove the drill bit, turn the chuck key counterclockwise in just one hole, then loosen the chuck by hand. After use, return the chuck key to the storage cavity on the tool.

For model DA333D

► **Fig.8:** 1. Sleeve

Hold the tool firmly and turn the sleeve counterclockwise to open the chuck jaws. Place the drill bit in the chuck as far as it will go. Hold the tool firmly turn the sleeve clockwise to tighten the chuck.

To remove the drill bit, hold the tool firmly turn the sleeve counterclockwise.

Installing hook

► **Fig.9:** 1. Groove 2. Hook 3. Screw

The hook is convenient for temporarily hanging the tool. This can be installed on either side of the tool. To install the hook, insert it into a groove in the tool housing on either side and then secure it with a screw. To remove, loosen the screw and then take it out.

Chuck key holder

For model DA332D only (optional accessory)

► **Fig.10:** 1. Chuck key holder 2. Screw

To install the chuck key holder, fix it to the convex portion of the tool housing on either side and then secure it with a screw. To remove, loosen the screw and then take it out.

OPERATION

⚠ CAUTION: Always insert the battery cartridge all the way until it locks in place. If you can see the red indicator on the upper side of the button, it is not locked completely. Insert it fully until the red indicator cannot be seen. If not, it may accidentally fall out of the tool, causing injury to you or someone around you.

⚠ CAUTION: When the speed comes down extremely, reduce the load or stop the tool to avoid the tool damage.

⚠ CAUTION: Hold the tool firmly with one hand on the gripping part of the tool when operating the tool.

For model DA332D

► **Fig.11**

For model DA333D

► **Fig.12**

Drilling operation

Drilling in wood

When drilling in wood, the best results are obtained with wood drills equipped with a guide screw. The guide screw makes drilling easier by pulling the drill bit into the workpiece.

Drilling in metal

To prevent the drill bit from slipping when starting a hole, make an indentation with a center-punch and hammer at the point to be drilled. Place the point of the drill bit in the indentation and start drilling. Use a cutting lubricant when drilling metals. The exceptions are iron and brass which should be drilled dry.

⚠ CAUTION: Pressing excessively on the tool will not speed up the drilling. In fact, this excessive pressure will only serve to damage the tip of your drill bit, decrease the tool performance and shorten the service life of the tool.

⚠ CAUTION: Hold the tool firmly and exert care when the drill bit begins to break through the workpiece. There is a tremendous force exerted on the tool/drill bit at the time of hole break through.

⚠ CAUTION: A stuck drill bit can be removed simply by setting the reversing switch to reverse rotation in order to back out. However, the tool may back out abruptly if you do not hold it firmly.

⚠ CAUTION: Always secure workpieces in a vise or similar hold-down device.

⚠ CAUTION: If the tool is operated continuously until the battery cartridge has discharged, allow the tool to rest for 15 minutes before proceeding with a fresh battery.

MAINTENANCE

⚠ CAUTION: Always be sure that the tool is switched off and the battery cartridge is removed before attempting to perform inspection or maintenance.

NOTICE: Never use gasoline, benzine, thinner, alcohol or the like. Discoloration, deformation or cracks may result.

To maintain product SAFETY and RELIABILITY, repairs, any other maintenance or adjustment should be performed by Makita Authorized or Factory Service Centers, always using Makita replacement parts.

OPTIONAL ACCESSORIES

⚠ CAUTION: These accessories or attachments are recommended for use with your Makita tool specified in this manual. The use of any other accessories or attachments might present a risk of injury to persons. Only use accessory or attachment for its stated purpose.

If you need any assistance for more details regarding these accessories, ask your local Makita Service Center.

- Drill bits
- Chuck key
- Chuck key holder
- Hook
- Plastic carrying case
- Makita genuine battery and charger

NOTE: Some items in the list may be included in the tool package as standard accessories. They may differ from country to country.

SPECIFIKATIONER

Modell:		DA332D	DA333D
Borrkapaciteter	Stål	10 mm	
	Trä	12 mm	
Hastighet utan belastning		0 - 1 100 min ⁻¹	
Total längd		313 mm - 332 mm	
Märkspänning		10,8 V likström - 12 V max	
Batterikassett		BL1015 / BL1016 / BL1020B / BL1021B / BL1040B / BL1041B	
Nettovikt		1,2 - 1,3 kg	1,2 - 1,4 kg

- På grund av vårt pågående program för forskning och utveckling kan dessa specifikationer ändras utan föregående meddelande.
- Specifikationer och batterikassett kan variera mellan olika länder.
- Vikten kan variera beroende på tillbehören, inklusive batterikassett. Den lättaste och den tyngsta kombinationen enligt EPTA-procedur 01/2014 visas i tabellen.

Avsedd användning

Maskinen är avsedd för borring i trä, metall och plast.

Buller

Den normala bullernivån för A-belastning är bestämd enligt EN60745:

Model DA332D

Ljudtrycksnivå (L_{pA}): 70 dB (A) eller lägre
Mättolerans (K): 3 dB (A)

Model DA333D

Ljudtrycksnivå (L_{pA}): 70 dB (A) eller lägre
Mättolerans (K): 3 dB (A)

Bullernivån vid arbete kan överstiga 80 dB (A).

⚠ VARNING: Använd hörselskydd.

Vibration

Det totala vibrationsvärdet (treaxlad vektorsumma) bestämt enligt EN60745:

Model DA332D

Arbetsläge: borring i metall
Vibrationsemission ($a_{h,D}$): 2,5 m/s² eller lägre
Mättolerans (K): 1,5 m/s²

Model DA333D

Arbetsläge: borring i metall
Vibrationsemission ($a_{h,D}$): 3,0 m/s²
Mättolerans (K): 1,5 m/s²

OBS: Det deklarerade vibrationsemissionsvärdet har uppmätts i enlighet med standardtestmetoden och kan användas för att jämföra en maskin med en annan.

OBS: Det deklarerade vibrationsemissionsvärdet kan också användas i en preliminär bedömning av exponering för vibration.

⚠ VARNING: Vibrationsemissionen under faktisk användning av maskinen kan skilja sig från det deklarerade emissionsvärdet, beroende på hur maskinen används.

⚠ VARNING: Var noga med att identifiera säkerhetsåtgärder för att skydda användaren, vilka är grundade på en uppskattning av graden av exponering för vibrationer under de faktiska användningsförhållandena, (ta, förutom avtryckartiden, med alla delar av användarcykeln i beräkningen, som till exempel tiden då maskinen är avstängd och när den går på tomgång).

EG-försäkring om överensstämmelse

Gäller endast inom EU

EG-försäkring om överensstämmelse inkluderas som bilaga A till denna bruksanvisning.

SÄKERHETSVARNINGAR

Allmänna säkerhetsvarningar för maskiner

⚠ VARNING: Läs alla säkerhetsvarningar, anvisningar, illustrationer och specifikationer som medföljer det här maskinen. Underlåtenhet att följa instruktionerna kan leda till elstöt, brand och/eller allvariga personskador.

Spara alla varningar och instruktioner för framtida referens.

Termen "maskin" som anges i varningarna hänvisar till din eldrivna maskin (sladdansluten) eller batteridrivna maskin (sladdlös).

Säkerhetsvarningar för batteridriven bormaskin

1. Använd extrahandtag om det levereras med maskinen. Om du förlorar kontrollen över maskinen kan det leda till personskador.
2. Håll verktyget i de isolerade handtagen om det finns risk för att sågverktyget kan komma i kontakt med en dold elkabel. Om sågverktyget kommer i kontakt med en strömförande ledning blir verktygets blottlagda metalldelar strömförande och kan ge användaren en elektrisk stöt.
3. Se till att alltid ha ordentligt fotfäste. Se till att ingen står under dig när maskinen används på hög höjd.
4. Håll stadigt i maskinen.
5. Håll händerna på avstånd från roterande delar.
6. Lämna inte maskinen igång. Använd endast maskinen när du håller den i händerna.
7. Rör inte vid borrarbets eller arbetsstycke omedelbart efter användning eftersom de kan vara extremt varma och orsaka brännskador.
8. Vissa material kan innehålla giftiga kemikalier. Se till att du inte andas in damm eller får det på huden. Följ anvisningarna i leverantörens materialsäkerhetsblad.
9. Om borret inte kan lossas även om du öppnar chucken, använd en tång för att dra ut det. Om man drar ut det för hand kan man skada sig på dess vassa kanter.

SPARA DESSA ANVISNINGAR.

⚠ VARNING: GLÖM INTE att också fortsättningsvis strikt följa säkerhetsanvisningarna för maskinen även efter att du blivit van att använda den. Vid FELAKTIG HANTERING av maskinen eller om inte säkerhetsanvisningarna i denna bruksanvisning följs kan följden bli allvarliga personskador.

Viktiga säkerhetsanvisningar för batterikassetten

1. Innan batterikassetten används ska alla instruktioner och varningsmärken på (1) batteriladdaren, (2) batteriet och (3) produkten läsas.
2. Montera inte isär batterikassetten.
3. Om drifttiden blivit avsevärt kortare ska användningen avbrytas omedelbart. Det kan uppstå överhettning, brännskador och t o m en explosion.
4. Om du får elektrolyt i ögonen ska de sköljas med rent vatten och läkare uppsökas omedelbart. Det finns risk för att synen förloras.
5. Kortslut inte batterikassetten.
 - (1) Rör inte vid polerna med något strömförande material.
 - (2) Undvik att förvara batterikassetten tillsammans med andra metallobjekt som t.ex. spikar, mynt o.s.v.
 - (3) Skydda batteriet mot vatten och regn.

En batterikortslutning kan orsaka ett stort strömlöflöde, överhettning, brand och maskinhaveri.

6. Förvara inte maskinen och batterikassetten på platser där temperaturen kan nå eller överstiga 50 °C.
7. Bränn inte upp batterikassetten även om den är svårt skadad eller helt utsliten. Batterikassetten kan explodera i öppen eld.
8. Var försiktig så att du inte råkar tappa batteriet och utsätt det inte för stötar.
9. Använd inte ett skadat batteri.
10. De medföljande litiumjonbatterierna är föremål för kraven i gällande lagstiftning för farligt gods.

För kommersiella transporter (av t.ex. tredje parter som speditiionsfirmor) måste de särskilda transportkrav som anges på emballaget och etiketter iakttagas.

För att förbereda den produkt som ska avsändas krävs att du konsulterar en expert på riskmaterial. Var också uppmärksam på att det i ditt land kan finnas ytterligare föreskrifter att följa.

Tejpa över eller maskera blottade kontakter och packa batteriet på sådant sätt att det inte kan röra sig fritt i förpackningen.
11. Följ lokala föreskrifter beträffande avfallshantering av batteriet.

SPARA DESSA ANVISNINGAR.

⚠ FÖRSIKTIGT: Använda endast äkta Makita-batterier. Användning av oäkta Makita-batterier eller batterier som har manipulerats kan leda till person- och utrustningsskador eller till att batteriet fattar eld. Det upphäver också Makitas garanti för verktyget och laddaren.

Tips för att uppnå batteriets maximala livslängd

1. Ladda batterikassetten innan den är helt urladdad. Stanna alltid maskinen och ladda batterikassetten när du märker att maskinen blir svagare.
2. Ladda aldrig en fulladdad batterikassetten. Överladdning förkortar batteriets livslängd.
3. Ladda batterikassetten vid en rumstemperatur på 10 °C - 40 °C. Låt en varm batterikassetten svalna innan den laddas.

FUNKTIONSBESKRIVNING

⚠ FÖRSIKTIGT: Se alltid till att maskinen är avstängd och batterikassetten borttagen innan du justerar maskinen eller kontrollerar dess funktioner.

Montera eller demontera batterikassetten

⚠ FÖRSIKTIGT: Stäng alltid av maskinen innan du monterar eller tar bort batterikassetten.

⚠ FÖRSIKTIGT: Håll stadigt i maskinen och batterikassetten när du monterar eller tar bort batterikassetten. I annat fall kan det leda till att de glider ur dina händer och orsakar skada på maskinen och batterikassetten samt personskada.

► **Fig. 1:** 1. Röd indikator 2. Knapp 3. Batterikassett

Ta bort batterikassetten genom att skjuta ner knappen på kassetterns framsida samtidigt som du drar ut batterikassetten.

Sätt in batterikassetten genom att rikta in tungan på batterikassetten mot spåret i höljet och skjut den på plats. Tryck in batterikassetten ordentligt tills den låser fast med ett klick. Om du kan se den röda indikatorn på knappens ovansida är den inte låst ordentligt.

⚠ FÖRSIKTIGT: Sätt alltid in batterikassetten helt tills den röda indikatorn inte längre syns. I annat fall kan den oväntat falla ur maskinen och skada dig eller någon annan.









⚠ FÖRSIKTIGT: Montera inte batterikassetten med våld. Om kassetten inte lätt glider på plats är den felinsatt.

Indikerar kvarvarande batterikapacitet

Endast för batterikassetter med indikator

► **Fig. 2:** 1. Indikatorlampor 2. Kontrollknapp

Tryck på kontrollknappen på batterikassetten för att se kvarvarande batterikapacitet. Indikatorlamporna lyser i ett par sekunder.

Indikatorlampor		Återstående kapacitet
Upplyst	Av	
		75% till 100%
		50% till 75%
		25% till 50%
		0% till 25%

OBS: Beroende på användningsförhållanden och den omgivande temperaturen kan indikationen skilja sig lätt från den faktiska batterikapaciteten.

Skyddssystem för batteri

Maskinen är utrustad med ett batteriskyddssystem. Detta system bryter automatiskt strömmen till motorn för att förlänga batteriets livslängd. Maskinen stoppas automatiskt under pågående användning om någon av följande situationer uppstår:

Överbelastning:

Maskinen används på ett sätt som gör att den förbrukar onormalt mycket ström.

När detta sker stänger du av maskinen och upphör med arbetet som gjorde att maskinen överbelastades. Starta därefter upp maskinen igen.

Om maskinen inte startar är batteriet överhettat. Låt då batteriet svalna innan du startar maskinen igen.

Batterispänningen faller:

Den kvarvarande batterikapaciteten är för låg och maskinen fungerar inte. Om du trycker in avtryckaren startar inte motorn, eller så går motorn igång men stannar snart igen. I detta läge tar du bort batteriet och laddar det.

Avtryckarens funktion

⚠ FÖRSIKTIGT: Kontrollera alltid att avtryckaren löser ut ordentligt och återgår till läget "AV" när den släpps innan batterikassetten installeras i verktyget.

⚠ FÖRSIKTIGT: Håll maskinen stadigt innan den stängs av.

► **Fig. 3:** 1. Säkerhetsgrepp

Starta verktyget genom att tryck in avtryckaren. Hastigheten ökas genom att du trycker hårdare på avtryckaren. Släpp avtryckaren för att stoppa.

Tända frontlampan

⚠ FÖRSIKTIGT: Titta inte in i ljuset eller direkt i ljuskällan.

För modell DA332D

► **Fig. 4:** 1. Lampa

För modell DA333D

► **Fig. 5:** 1. Lampa

Tryck på avtryckaren för att tända lampan. Lampan lyser medan du trycker in avtryckaren. Lampan slöcknar automatiskt ca 10 sekunder efter att du har släppt avtryckaren.

OBS: Använd en torr trasa för att torka bort smuts från lampglasat. Var försiktig så att inte lampglasat repas eftersom ljuset då kan bli svagare.

Reverseringsspakens funktion

► **Fig.6:** 1. Reverseringsspak

⚠ FÖRSIKTIGT: Kontrollera alltid rotationsriktningen före användning.

⚠ FÖRSIKTIGT: Använd endast reverseringsknappen när maskinen har stoppat helt. Maskinen kan skadas om du byter rotationsriktning medan den fortfarande roterar.

⚠ FÖRSIKTIGT: Ställ alltid in reverseringsspaken i neutralt läge när du inte använder maskinen.

Denna maskin har en reverseringsknapp för byte av rotationsriktning. Tryck in reverseringsspaken från sida A för medurs rotation och från sida B för moturs rotation. När reverseringsknappen är i neutralt läge fungerar inte avtryckaren.

MONTERING

⚠ FÖRSIKTIGT: Se alltid till att maskinen är avstängd och batterikassetten borttagen innan du underhåller maskinen.

Sätta i och ta ur borrarbitt

Valfria tillbehör

För modell DA332D

► **Fig.7:** 1. Chucknyckel

Placera borret så långt in i chucken som möjligt och montera det på plats. Dra åt chucken för hand. Sätt chucknyckeln i vart och ett av de tre hålen och dra åt medurs. Dra åt alla tre chuckhålen med samma moment.

När du vill lossa borrarbittet vrider du chucknyckeln moturs i endast ett av hålen, och lossar sedan chucken för hand.

Sätt tillbaka chucknyckeln på sin plats när du har använt den.

För modell DA333D

► **Fig.8:** 1. Hylsa

Håll stadigt i maskinen och vrid hylsan moturs för att öppna chucken. Skjut in borret i chucken så långt det går. Håll stadigt i maskinen och vrid hylsan medurs för att dra åt chucken.

Håll stadigt i maskinen och vrid hylsan moturs för att ta bort bitset.

Monteringskrok

► **Fig.9:** 1. Spår 2. Krok 3. Skruv

Haken kan användas när du vill hänga upp verktyget temporärt. Den kan monteras på båda sidorna av maskinen. För att montera kroken sätter du i den i ett spår i maskinhuset på endera sida och drar fast den med en skruv. Ta bort kroken genom att skruva loss skruven.

Hållare för chucknyckel

Endast för modell DA332D (valfritt tillbehör)

► **Fig.10:** 1. Hållare för chucknyckel 2. Skruv

För att montera hållaren för chucknyckeln, fixerar du den mot den konvexa delen av maskinhuset på endera sidan och drar fast den med en skruv. Ta bort kroken genom att skruva loss skruven.

ANVÄNDNING

⚠ FÖRSIKTIGT: Skjut alltid in batterikassetten ordentligt tills den låses på plats. Om du kan se den röda indikatorn på knappens ovasida är den inte låst ordentligt. Skjut in den helt tills den röda indikatorn inte syns längre. I annat fall kan batterikassetten plötsligt lossna från maskinen och skada dig eller någon annan.

⚠ FÖRSIKTIGT: När hastigheten sjunker extremt mycket ska du minska belastningen eller stoppa maskinen för att undvika maskinskada.

⚠ FÖRSIKTIGT: Håll stadigt i maskinen när du arbetar med den med en hand om den greppande delen av maskinen.

För modell DA332D

► **Fig.11**

För modell DA333D

► **Fig.12**

Borning

Borra i trä

Vid borring i trä uppnår du bäst resultat om du använder ett träborr med styrskruv. Styrskraven gör det enklare att borra genom att den drar in borret i arbetsstycket.

Borra i metall

För att borret inte ska halka när du börjar borra kan du göra ett märke med en syl och en hammare i punkten där hålet ska borras. Placera borrets spets i sylhålet och börja borra.

Använd ett smörjmedel vid borring i metall.

Undantagen är järn och mässing som ska borras torr.

⚠ FÖRSIKTIGT: Borrningen går inte fortare för att du trycker hårdare på maskinen. Detta extra tryck skadar bara toppen på ditt borr, sänker maskinens prestanda och förkortar maskinens livslängd.

⚠ FÖRSIKTIGT: Håll ett stadigt tag i maskinen och var försiktig när borret börjar tränga igenom arbetsstycket. Det utvecklas en enorm kraft på maskinen/borret vid hålgenomslaget.

⚠ FÖRSIKTIGT: Ett borr som fastnat kan enkelt backas ur genom att reversera borrningens rotationsriktning. Maskinen kan dock plötsligt backa ut om du inte håller i den ordentligt.

⚠ FÖRSIKTIGT: Fäst alltid arbetsstycken i ett stöd eller liknande fasthållningsanordningar.

⚠ FÖRSIKTIGT: Om maskinen används löpande tills batteriet är tomt bör maskinen vila 15 minuter innan du fortsätter arbetet med ett laddat batteri.

UNDERHÅLL

⚠ FÖRSIKTIGT: Se alltid till att maskinen är avstängd och batterikassetten borttagen innan inspektion eller underhåll utförs.

OBSERVERA: Använd inte bensin, förtunningsmedel, alkohol eller liknande. Missfärgning, deformation eller sprickor kan uppstå.

För att upprätthålla produktens SÄKERHET och TILLFÖRLITLIGHET bör allt underhålls- och justeringsarbete utföras av ett auktoriserat Makita servicecenter och med reservdelar från Makita.

VALFRIA TILLBEHÖR

⚠ FÖRSIKTIGT: Följande tillbehör eller tillsatser rekommenderas för användning med den Makita-maskin som denna bruksanvisning avser. Om andra tillbehör eller tillsatser används kan det uppstå risk för personskador. Använd endast tillbehören eller tillsatserna för de syften de är avsedda för.

Kontakta ditt lokala Makita servicecenter om du behöver ytterligare information om dessa tillbehör.

- Borr
- Chucknyckel
- Hållare för chucknyckel
- Krok
- Förvaringsväska av plast
- Makitas originalbatteri och -laddare

OBS: Några av tillbehören i listan kan vara inkluderade i maskinpaketet som standardtillbehör. De kan variera mellan olika länder.

TEKNISKE DATA

Modell:		DA332D	DA333D
Borekapasitet	Stål	10 mm	
	Tre	12 mm	
Hastighet uten belastning		0 - 1 100 min ⁻¹	
Total lengde		313 mm - 332 mm	
Nominell spenning		DC 10,8 V - 12 V maks	
Batteriinsats		BL1015 / BL1016 / BL1020B / BL1021B / BL1040B / BL1041B	
Nettovekt		1,2 - 1,3 kg	1,2 - 1,4 kg

- På grunn av vårt kontinuerlige forsknings- og utviklingsprogram kan spesifikasjonene som oppgis i dette dokumentet endres uten varsel.
- Spesifikasjoner og batteriinsats kan variere fra land til land.
- Vekten kan variere avhengig av tilbehøret/tilbehørene, inkludert batteriet. Den letteste og tyngste kombinasjonen, i henhold til EPTA-prosedyre 01/2014, vises i tabellen.

Riktig bruk

Maskinen er beregnet til boring i tre, metall og plast.

Støy

Typisk A-vektet lydtrykknivå er bestemt i henhold til EN60745:

Modell DA332D

Lydtrykknivå (L_{pA}): 70 dB (A) eller mindre
Usikkerhet (K): 3 dB (A)

Modell DA333D

Lydtrykknivå (L_{pA}): 70 dB (A) eller mindre
Usikkerhet (K): 3 dB (A)

Støynivået under arbeid kan overskride 80 dB (A).

⚠ ADVARSEL: Bruk hørselsvern.

Vibrasjoner

Den totale vibrasjonsverdien (triaksial vektorsum) bestemt i henhold EN60745:

Modell DA332D

Arbeidsmodus: Bore inn i metall
Genererte vibrasjoner ($a_{h,D}$): 2,5 m/s² eller mindre
Usikkerhet (K): 1,5 m/s²

Modell DA333D

Arbeidsmodus: Bore inn i metall
Genererte vibrasjoner ($a_{h,D}$): 3,0 m/s²
Usikkerhet (K): 1,5 m/s²

MERK: Den angitte verdien for de genererte vibrasjonene er målt i samsvar med standardtestmetoden og kan brukes til å sammenlikne et verktøy med et annet.

MERK: Den angitte verdien for de genererte vibrasjonene kan også brukes til en foreløpig vurdering av eksponeringen.

⚠ ADVARSEL: De genererte vibrasjonene ved faktisk bruk av elektroverktøyet kan avvike fra den angitte vibrasjonsverdien, avhengig av hvordan verktøyet brukes.

⚠ ADVARSEL: Sørg for å identifisere vernetiltak for å beskytte operatøren, som er basert på et estimat av eksponeringen under de faktiske bruksforholdene (idet det tas hensyn til alle deler av driftssyklusen, dvs. hvor lenge verktøyet er slått av, hvor lenge det går på tomgang og hvor lenge startbryteren faktisk holdes trykket).

EFs samsvarserklæring

Gjelder kun for land i Europa

EFs samsvarserklæring er lagt til som vedlegg A i denne bruksanvisningen.

SIKKERHETSADVARSEL

Generelle advarsler angående sikkerhet for elektroverktøy

⚠ ADVARSEL: Les alle sikkerhetsadvarsler, instruksjoner, illustrasjoner og spesifikasjoner som følger med dette elektroverktøyet. Hvis ikke alle instruksjonene nedenfor følges, kan det forekomme elektrisk støt, brann og/eller alvorlig skade.

Oppbevar alle advarsler og instruksjoner for senere bruk.

Uttrykket «elektrisk verktøy» i advarslene refererer både til elektriske verktøy (med ledning) tilkoblet strømmettet, og batteridrevne verktøy (uten ledning).

Sikkerhetsanvisninger for batteridrevet boremaskin

1. **Bruk hjelpehåndtak, hvis det (de) følger med maskinen.** Hvis maskinen kommer ut av kontroll, kan det resultere i helseskader.
2. **Hold elektroverktøyet i de isolerte gripeflatene når kutteutstyret kan komme i kontakt med skjulte ledninger under arbeidet.** Hvis skjæretilbehøret kommer i kontakt med en strømførende ledning, kan metalldelene på elektroverktøyet bli strømførende og føre til at brukeren får støt.
3. **Pass på at du har godt fottfeste.** Forviss deg om at ingen står under deg når du jobber høyt over bakken.
4. **Hold godt fast i verktøyet.**
5. **Hold hendene unna roterende deler.**
6. **Ikke gå fra verktøyet mens det er i gang.** Verktøyet må bare brukes mens operatøren holder det i hendene.
7. **Ikke berør bor eller arbeidsstykke umiddelbart etter bruk.** Disse vil da være ekstremt varme, og du kan få brannskår.
8. **Enkelte materialer inneholder kjemikalier som kan være giftige.** Treff tiltak for å hindre hudkontakt og innånding av støv. Følg leverandørens sikkerhetsanvisninger.
9. **Hvis du ikke klarer å løse boret selv om du åpner kjevene, drar du det ut ved hjelp av en tang.** Når du drar ut boret for hånd, må du passe på at du ikke skader deg på den skarpe kanten.

TA VARE PÅ DISSE INSTRUKSENE.

⚠ ADVARSEL: IKKE LA hensynet til hva som er "behagelig" eller det faktum at du kjenner produktet godt (etter mange gangers bruk) gjøre deg mindre oppmerksom på sikkerhetsreglene for bruken av det aktuelle produktet. Ved MISBRUK eller hvis ikke sikkerhetsreglene i denne bruksanvisningen følges, kan det oppstå alvorlig personskade.

Viktige sikkerhetsanvisninger for batteriinnsats

1. **Før du begynner å bruke batteriet, må du lese alle anvisninger og forsiktighetsregler på (1) batteriladeren, (2) batteriet og (3) det produktet batteriet skal brukes i.**
2. **Ikke ta fra hverandre batteriet.**
3. **Hvis driftstiden er blitt vesentlig kortere, må du omgående slutte å bruke maskinen.** Hvis ikke kan resultatet bli overoppheting, mulige forbrenninger eller til og med en eksplosjon.
4. **Hvis du får elektrolytt i øynene, må du skylle dem med store mengder rennende vann og oppsøke lege med én gang.** Denne typen uhell kan føre til varig blindhet.

5. **Ikke kortslutt batteriet:**
 - (1) **De kan være ekstremt varme og du kan brenne deg.**
 - (2) **Ikke lagre batteriet i samme beholder som andre metallgjenstander, som for eksempel spiker, mynter osv.**
 - (3) **Ikke la batteriet komme i kontakt med vann eller regn.****En kortslutning av batteriet kan føre til et kraftig strømstøt, overoppheting, mulige forbrenninger og til og med til at batteriet går i stykker.**
6. **Ikke lagre maskinen og batteriet på steder hvor temperaturen kan komme opp i eller overskride 50 °C.**
7. **Ikke sett fyr på batteriet, ikke engang om det er sterkt skadet eller helt utslitt.** Batteriet kan eksplodere hvis det begynner å brenne.
8. **Vær forsiktig så du ikke mister batteriet eller utsetter det for slag.**
9. **Ikke bruk batterier som er skadet.**
10. **Lithium-ion-batteriene som medfølger er gjenstand for krav om spesialavfall.** For kommersiell transport, f.eks av tredjeparter eller speditorer, må spesielle krav om pakking og merking følges. Før varen blir sendt, må du forhøre deg med en ekspert på farlig materiale. Ta også hensyn til muligheten for mer detaljerte nasjonale bestemmelser. Bruk teip eller maskeringsteip for å skjule åpne kontakter og pakk inn batteriet på en slik måte at den ikke kan bevege seg rundt i emballasjen.
11. **Følg lokale bestemmelser for avhending av batterier.**

TA VARE PÅ DISSE INSTRUKSENE.

⚠ FORSIKTIG: Bruk kun originale Makita-batterier. Bruk av batterier som har endret seg, eller som ikke er originale Makita-batterier, kan føre til at batteriet sprekker og forårsaker brann, personskader og andre skader. Det vil også ugyldiggjøre garantien for Makita-verktøyet og -laderen.

Tips for å opprettholde maksimal batterilevetid

1. **Lad batteriinnsetsen før den er helt utladet. Stopp alltid driften av verktøyet og lad batteriinnsetsen når du merker at effekten reduseres.**
2. **Lad aldri en batteriinnsetts som er fulladet. Overopplading forkorter batteriets levetid.**
3. **Lad batteriet i romtemperatur ved 10 °C - 40 °C. Et varmt batteri må kjøles ned før lading.**

FUNKSJONSBEKRIVELSE

⚠️ FORSIKTIG: Forviss deg alltid om at maskinen er slått av og batteriet tatt ut før du justerer maskinen eller kontrollerer dens mekaniske funksjoner.

Sette inn eller ta ut batteri

⚠️ FORSIKTIG: Slå alltid av verktøyet før du setter inn eller fjerner batteriet.

⚠️ FORSIKTIG: Hold verktøyet og batteripatronen i et fast grep når du monterer eller fjerner batteripatronen. Hvis du ikke holder verktøyet og batteripatronen godt fast, kan du miste grepet, og dette kan føre til skader på verktøyet og batteripatronen samt personskaider.

► Fig.1: 1. Rød indikator 2. Knapp 3. Batteriinnsetts

For å ta ut batteriet må du skyve på knappen foran på batteriet og trekke det ut.

Når du skal sette inn batteriet, må du plassere tungen på batteriet på linje med sporet i huset og skyve batteriet på plass. Skyv det helt inn til det går i inngrep med et lite klikk. Hvis du kan se den røde anviseren på oversiden av knappen, er det ikke fullstendig låst.

⚠️ FORSIKTIG: Batteriet må alltid settes helt inn, så langt at den røde anviseren ikke lenger er synlig. Hvis dette ikke gjøres, kan batteriet komme til å falle ut av maskinen og skade deg eller andre som oppholder seg i nærheten.









⚠️ FORSIKTIG: Ikke bruk makt når du setter i batteriet. Hvis batteriet ikke blir helt inn, er det fordi det ikke settes inn på riktig måte.

Indikere gjenværende batterikapasitet

Kun for batterier med indikatoren

► Fig.2: 1. Indikatorlamper 2. Kontrollknapp

Trykk på sjekk-knappen på batteriet for vise gjenværende batterikapasitet. Indikatorlampene lyser i et par sekunder.

Indikatorlamper		Gjenværende batterinivå
Tent	Av	
		75% til 100%
		50% til 75%
		25% til 50%
		0% til 25%

MERK: Det angitte nivået kan avvike noe fra den faktiske kapasiteten alt etter bruksforholdene og den omgivende temperaturen.

Batteribeskyttelsessystem

Verktøyet er utstyrt med et batterivernsystem. Dette systemet slår automatisk av strømmen til motoren for å forlenge batteriets levetid.

Verktøyet stopper automatisk ved drift hvis det og/eller batteriet utsettes for en av følgende tilstander:

Overbelastning:

Verktøyet brukes på en måte som gjør at det trekker uvanlig mye strøm.

I dette tilfellet må du slå av verktøyet og avslutte bruken som forårsaket at verktøyet ble overbelastet. Slå deretter verktøyet på for å starte det igjen.

Hvis verktøyet ikke starter, er batteriet overbelastet. I så fall må du la batteriet kjøle seg ned før du slår verktøyet på igjen.

Lav batterispennning:

Gjenværende batterikapasitet er for lav og verktøyet vil ikke fungere. Hvis du starter verktøyet, og motoren ikke starter eller den starter og stopper like etterpå. I dette tilfellet, fjern og lad batteriet opp igjen.

Bryterfunksjon

⚠️ FORSIKTIG: Før du setter batteriet i verktøyet, må du kontrollere at bryterspaken beveger seg riktig og går tilbake til stillingen "AV" når den slippes.

⚠️ FORSIKTIG: Pass på å holde godt tak i maskinen før den slås av.

► Fig.3: 1. Bryterspak

Trekk i bryterspaken for å starte verktøyet. Hvis du trykker hardere på bryterspaken, øker verktøyets turtall. Slipp bryterspaken for å stoppe.

Tenne frontlampen

⚠️ FORSIKTIG: Ikke se inn i lyset eller se direkte på lyskilden.

For modellen DA332D

► Fig.4: 1. Lampe

For modellen DA333D

► Fig.5: 1. Lampe

Trekk i bryterspaken for å tenne lampen. Lampen fortsetter å lyse mens startbryteren blir trukket. Lyset slukkes automatisk 10 sekunder etter at bryterspaken slippes.

MERK: Bruk en tørr klut til å tørke støv osv. av lampelinsen. Vær forsiktig så det ikke blir riper i lampelinsen, da dette kan redusere lysstyrken.

Reverseringsfunksjon

► **Fig.6:** 1. Reverseringsspak

⚠FORSIKTIG: Før arbeidet begynner, må du alltid kontrollere rotasjonsretningen.

⚠FORSIKTIG: Bruk reversbryteren bare etter at verktøyet har stoppet helt. Hvis du endrer rotasjonsretningen før verktøyet har stoppet, kan det bli ødelagt.

⚠FORSIKTIG: Når du ikke skal bruke maskinen lenger, må du alltid sette reversbryteren i nøytral stilling.

Dette verktøyet har en reversbryter som kan brukes til å endre rotasjonsretningen. Trykk inn reversbryteren fra «A»-siden for å velge rotasjon med klokken, eller fra «B»-siden for å velge rotasjon mot klokken. Når reverseringsspaken er i nøytral stilling, er det ikke mulig å trekke i bryterspaken.

MONTERING

⚠FORSIKTIG: Forviss deg alltid om at maskinen er slått av og batteriet tatt ut før du utfører noe arbeid på maskinen.

Montere eller fjerne boret

Valgfritt tilbehør

For modellen DA332D

► **Fig.7:** 1. Kjøksnøkkel

Monter boret ved å sette det så langt inn i kjoksen som mulig. Stram kjoksen for hånd. Sett kjøksnøkkelen inn i hvert av de tre hullene etter tur, og trekk til ved å dreie med klokken. Pass på at alle de tre kjøksnøkkelene strammes jevnt.

Du kan fjerne boret ved å vri kjøksnøkkelen mot klokken i ett av hullene og deretter løsne kjoksen for hånd. Etter bruk må du plassere kjøksnøkkelen i fordypningen dens på maskinen igjen.

For modellen DA333D

► **Fig.8:** 1. Mansjett

Hold maskinen i fast grep, og skru mansjettene mot klokken for å åpne kjevene på kjoksen. Sett boret så langt inn i kjoksen som mulig. Hold maskinen i fast grep, og skru mansjettene med klokken for å stramme kjoksen. For å fjerne boret må du holde maskinen godt fast og skru mansjettene mot klokken.

Monteringskrok

► **Fig.9:** 1. Spor 2. Krok 3. Skru

Kroken er praktisk for å henge opp verktøyet med for kortere tid. Den kan monteres på begge sider av verktøyet. For å montere kroken, må du sette den inn i sporet på en av sidene av verktøyhuset og feste den med en skru. Ta den av igjen ved å løsne skruen.

Kjøksnøkkelholder

Kun for modellen DA332D (valgfritt tilbehør)

► **Fig.10:** 1. Kjøksnøkkelholder 2. Skru

For å montere kjøksnøkkelholderen må du feste den til den konvekse delen av maskinhuset på én av sidene, og deretter skru den fast. Ta den av igjen ved å løsne skruen.

BRUK

⚠FORSIKTIG: Batteriet må alltid settes helt inn, til det låses på plass. Hvis du kan se den røde anviseren på oversiden av knappen, er det ikke fullstendig låst. Sett batteriet helt inn, så langt at den røde anviseren ikke lenger er synlig. Hvis dette ikke gjøres, kan batteriet falle ut av maskinen og skade deg eller andre som oppholder seg i nærheten.

⚠FORSIKTIG: Når hastigheten reduseres kraftig, må du redusere belastningen på verktøyet eller stoppe det for å unngå skade på verktøyet.

⚠FORSIKTIG: Hold verktøyet fast med en hånd på gripedelen håndtaket når verktøyet brukes.

For modellen DA332D

► **Fig.11**

For modellen DA333D

► **Fig.12**

Borfunksjon

Bore i tre

Når du borer i tre, blir resultatene best med trebor som er utstyrt med en ledeskrue. Ledeskruen forenkler boringen ved at den trekker skrutrekkerboret inn i arbeidsstykket.

Bore i metall

For at ikke skrutrekkerboret skal gli når du begynner å bore, må du lage en fordypning med en dor og en hammer der hullet skal bores. Sett spissen av skrutrekkerboret i fordypningen og begynn å bore. Bruk en skjærevæske når du borer i metall. Unntakene er jern og messing som skal bores tørt.

⚠FORSIKTIG: Hvis du bruker for mye kraft på verktøyet, vil det ikke øke borehastigheten. Overdreven bruk av kraft vil tvert imot kunne bidra til å ødelegge spissen av skrutrekkerboret, redusere verktøyeffekten og forkorte verktøyets levetid.

⚠FORSIKTIG: Hold verktøyet i et fast grep, og vær forsiktig når skrutrekkerboret begynner å bryte gjennom arbeidsstykket. I gjennombruddsøyeblikket virker det en enorm kraft på verktøyet/skrutrekkerboret.

⚠FORSIKTIG: Et skrutrekkerbor som sitter fast kan fjernes hvis du setter reversbryteren til motsatt rotasjonsretning, så verktøyet kan bakke ut. Verktøyet kan imidlertid komme brått ut hvis du ikke holder det i et fast grep.

⚠FORSIKTIG: Arbeidsstykker må alltid festes med en skrustikke eller en liknende festeanordning.

⚠FORSIKTIG: Hvis verktøyet brukes kontinuerlig inntil batteriet er utladet, må du la verktøyet hvile i 15 minutter før du fortsetter med et nytt batteri.

VEDLIKEHOLD

⚠FORSIKTIG: Forviss deg alltid om at maskinen er slått av og batteriet tatt ut før du foretar inspeksjon eller vedlikehold.

OBS: Aldri bruk gasolin, bensin, tynner alkohol eller lignende. Det kan føre til misfarging, deformering eller sprekkdannelse.

For å opprettholde produktets SIKKERHET og PÅLITELIGHET, må reparasjoner, vedlikehold og justeringer utføres av autoriserte Makita servicesentre eller fabrikkerservicesentre, og det må alltid brukes reservedeler fra Makita.

VALGFRITT TILBEHØR

⚠FORSIKTIG: Det anbefales at du bruker dette tilbehøret eller verktøyet sammen med den Makita-maskinen som er spesifisert i denne håndboken. Bruk av annet tilbehør eller verktøy kan forårsake personskader. Tilbehør og verktøy må kun brukes til det formålet det er beregnet på.

Ta kontakt med ditt lokale Makita-servicesenter hvis du trenger mer informasjon om dette tilbehøret.

- Bor
- Kjøksnøkkel
- Kjøksnøkkelholder
- Krok
- Verktøykoffert av plast
- Makita originalbatteri og lader

MERK: Enkelte elementer i listen kan være inkludert som standardtilbehør i verktøypakken. Elementene kan variere fra land til land.

TEKNISET TIEDOT

Malli:	DA332D	DA333D
Porauskapasiteetti	Teräs	10 mm
	Puu	12 mm
Kuormittamaton kierrosnopeus	0 - 1 100 min ⁻¹	
Kokonaispituus	313 mm - 332 mm	
Nimellisjännite	DC 10,8 V - 12 V maks.	
Akkupaketti	BL1015 / BL1016 / BL1020B / BL1021B / BL1040B / BL1041B	
Nettopaino	1,2 - 1,3 kg	1,2 - 1,4 kg

- Jatkuvasta tutkimus- ja kehitystyöstämme johtuen esitetyt tekniset tiedot saattavat muuttua ilman erillistä ilmoitusta.
- Tekniset tiedot ja akkupaketti voivat vaihdella maittain.
- Paino voi olla erilainen lisävarusteista sekä akusta johtuen. EPTA-menettelytavan 01/2014 mukaisesti, taulukossa on kuvattu kevyin ja painavin laiteyhdistelmä.

Käyttötarkoitus

Laite on tarkoitettu puun, metallin ja muovin poraamiseen.

Melutaso

Tyypillinen A-painotettu melutaso määräytyy standardin EN60745 mukaan:

Malli DA332D

Äänenpainetaso (L_{pA}): 70 dB (A) tai vähemmän
Virhemarginaali (K): 3 dB (A)

Malli DA333D

Äänenpainetaso (L_{pA}): 70 dB (A) tai vähemmän
Virhemarginaali (K): 3 dB (A)

Työskentelyn aikana melutaso voi ylittää 80 dB (A).

VAROITUS: Käytä kuulosuojaimia.

Tärinä

Kokonaistärinä (kolmen akselin vektorien summa) määräytyy standardin EN60745 mukaan:

Malli DA332D

Työtila: metalliin poraus
Tärinäpäästö ($a_{h,D}$): 2,5 m/s² tai alhaisempi
Virhemarginaali (K): 1,5 m/s²

Malli DA333D

Työtila: metalliin poraus
Tärinäpäästö ($a_{h,D}$): 3,0 m/s²
Virhemarginaali (K): 1,5 m/s²

HUOMAA: Ilmoitettu tärinäpäästöarvo on mitattu standarditestausten menetelmän mukaisesti, ja sen avulla voidaan vertailla työkaluja keskenään.

HUOMAA: Ilmoitettua tärinäpäästöarvoa voidaan käyttää myös altistumisen alustavaan arviointiin.

VAROITUS: Työkalun käytön aikana mitattu todellinen tärinäpäästöarvo voi poiketa ilmoitetusta tärinäpäästöarvosta työkalun käyttötavan mukaan.

VAROITUS: Selvitä käyttäjän suojaamiseksi tarvittavat varoimet todellisissa käyttöolosuhteissa tapahtuvan arvioitun altistumisen mukaisesti (ottaen huomioon käyttöjakso kokonaisuudessaan, myös jaksot, joiden aikana työkalu on sammutettuna tai käy tyhjäkäynnillä).

EY-vaatimusten mukaisuusvakuutus

Koskee vain Euroopan maita

EY-vaatimusten mukaisuusvakuutus on liitetty tähän käyttöoppaaseen.

TURVAVAROITUKSET

Sähkötyökalujen käyttöä koskevat yleiset varoitukset

VAROITUS: Tutustu kaikkiin tämän sähkötyökalun mukana toimitettuihin varoituksiin, ohjeisiin, kuviin ja teknisiin tietoihin. Seuraavassa lueteltujen ohjeiden noudattamatta jättäminen saattaa johtaa sähköiskuun, tulipaloon tai vakavaan vammautumiseen.

Säilytä varoitukset ja ohjeet tulevaa käyttöä varten.

Varoituksissa käytettävällä termillä "sähkötyökalu" tarkoitetaan joko verkkovirtaa käyttävää (johdollista) työkalua tai akkukäyttöistä (johdotonta) työkalua.

Akkuporakonetta koskevat turvallisuusohjeet

1. Käytä työkalun mukana mahdollisesti toimitettua lisäkahvaa tai-kahvoja. Hallinnan menetys voi aiheuttaa henkilövahinkoja.
2. Kun suoritat toimenpidettä, jossa leikkuuväline voi joutua kosketukseen piilossa olevien esineiden kanssa, pidä kiinni laitteesta sen eristetyn tarttumispinnan kohdalta. Jos leikkuväline joutuu kosketukseen jännitteellisen johdon kanssa, jännite voi siirtyä laitteeseen sähköä johtaviin metalliosiin ja aiheuttaa käyttäjälle sähköiskun.
3. Seiso aina tukevassa asennossa. Varmista korkealla työskennellessäsi, että ketään ei ole alapuolella.
4. Ota koneesta luja ote.
5. Pidä kädet loitolla pyöriavälineistä osista.
6. Älä jätä konetta käymään itseksensä. Käytä laitetta vain silloin, kun pidät sitä kädessä.
7. Älä kosketa terää tai työkalua välittömästi käytön jälkeen, sillä ne voivat olla erittäin kuumia ja aiheuttaa palovammoja.
8. Jotkin materiaalit sisältävät kemikaaleja, jotka voivat olla myrkyllisiä. Huolehdi siitä, että pölyn sisäänhengittäminen ja ihokosketus estetään. Noudata materiaalin toimittajan turvaohjeita.
9. Jos poranterää ei voi irrottaa vaikka avaisit leuat, käytä pihtejä sen ulosvetämiseen. Tässä tapauksessa poranterän ulosvetäminen käsin voi aiheuttaa tapaturmia sen terävästä reunasta johtuen.

SÄILYÄ NÄMÄ OHJEET.

VAROITUS: ÄLÄ anna työkalun helppokäyttöisyyden (toistuvan käytön aikaansaama) johtaa sinua väärään turvallisuuden tunteeseen niin, että laiminlyöt työkalun turvaohjeiden noudattamisen. VÄÄRINKÄYTTÖ tai tässä käyttöohjeessa ilmoitettujen turvamääräysten laiminlyönti voi aiheuttaa vakavia henkilövahinkoja.

Akkupakettia koskevia tärkeitä turvaohjeita

1. Ennen akun käyttöönottoa tutustu kaikkiin laturissa (1), akussa (2) ja akkukäyttöisessä tuotteessa (3) oleviin varoitusteksteihin.
2. Älä pura akkuja.
3. Jos akun toiminta-aika lyhenee merkittävästi, lopeta akun käyttö. Seurauksena voi olla ylikuumentuminen, palovammoja tai jopa räjähdys.
4. Jos akkuneustetta pääsee silmiin, huuhtele puhtaalla vedellä ja hakeudu välittömästi lääkärin hoitoon. Akkuneuste voi aiheuttaa näön menetyksen.

5. Älä oikosulje akkuja.

- (1) Älä koske akun napoihin millään sähköä johtavalla materiaaalilla.
- (2) Vältä akun oikosulkemista äläkä säilytä akkuja yhdessä muiden metalliesineiden, kuten naulojen, kolikoiden ja niin edelleen kanssa.
- (3) Älä aseta akkuja alttiiksi vedelle tai sateelle.

Oikosulku voi aiheuttaa virtapiikin, ylikuumentumista, palovammoja tai laitteen rikkoutumisen.

6. Älä säilytä työkalua ja akkuja paikassa, jossa lämpötila voi nousta 50 °C:een tai sitäkin korkeammaksi.
7. Älä hävitä akkuja polttamalla, vaikka se olisi pahoin vaurioitunut tai täysin loppuun kulunut. Avotuli voi aiheuttaa akun räjähtämisen.
8. Varo kolhimasta tai pudottamasta akkuja.
9. Älä käytä viallista akkuja.
10. Sisältyviä litium-ioni-akkuja koskevat vaarallisten aineiden lainsäädännön vaatimukset. Esimerkiksi kolmansien osapuolten huolintaliikkeiden tulee kaupallisissa kuljetuksissa noudattaa pakkaamista ja merkintöjä koskevia erityisvaatimuksia. Lähetettävän tuotteen valmistelu edellyttää vaarallisten aineiden asiantuntijan neuvontaa. Huomioi myös mahdollisesti yksityiskohtaisemmat kansalliset määräykset. Akun avoimet liittimet tulee suojata teipillä tai suojuksella ja pakkaaminen tulee tehdä niin, ettei akku voi liikkua pakkauksessa.
11. Hävitä akku paikallisten määräysten mukaisesti.

SÄILYÄ NÄMÄ OHJEET.

HUOMIO: Käytä vain alkuperäisiä Makita-akkuja. Muiden kuin aitojen Makita-akkujen, tai mahdollisesti muutettujen akkujen käyttö voi johtaa akun murtumiseen ja aiheuttaa tulipaloja, henkilö- ja omaisuusvahinkoja. Se mitätöi myös Makita-työkalun ja -laturin Makita-takuun.

Vihjeitä akun käyttööän pidentämiseksi

1. Lataa akku ennen kuin se purkautuu täysin. Lopeta aina työkalun käyttö ja lataa akku, jos huomaat työkalun tehon vähenevän.
2. Älä koskaan lataa uudestaan täysin ladattua akkuja. Ylilataaminen lyhentää akun käyttöikää.
3. Lataa akku huoneen lämpötilassa välillä 10 °C - 40 °C. Anna kuumen akkun jäähtyä ennen lataamista.

TOIMINTOJEN KUVAUS

⚠HUOMIO: Varmista aina ennen säätöjä ja tarkastuksia, että työkalu on sammutettu ja akkupaketti irrotettu.

Akun asentaminen tai irrottaminen

⚠HUOMIO: Sammuta työkalu aina ennen akun kiinnittämistä tai irrottamista.

⚠HUOMIO: Pidä työkalusta ja akusta tiukasti kiinni, kun irrotat tai kiinnität akkua. Jos akkupaketti tai työkalu putoaa, ne voivat vaurioitua tai aiheuttaa tapaturman.

- **Kuva1:** 1. Punainen merkkivalo 2. Painike
3. Akkupaketti

Irrota akku painamalla akun etupuolella olevaa painiketta ja vetämällä akku ulos työkalusta.

Akku liitetään sovittamalla akun kieleke rungon uraan ja työntämällä se sitten paikoilleen. Työnnä akku pohjaan asti niin, että kuulet sen napsahtavan paikoilleen. Jos painikkeen yläpuolella näkyy punainen ilmaisin, akku ei ole lukkiutunut täysin paikoilleen.

⚠HUOMIO: Työnnä akku aina pohjaan asti, niin että punainen ilmaisin ei enää näy. Jos akku ei ole kunnolla paikallaan, se voi pudota työkalusta ja aiheuttaa vammoja joko sinulle tai sivullisille.

⚠HUOMIO: Älä käytä voimaa akun asennuksessa. Jos akku ei lii'vu paikalleen helposti, se on väärässä asennossa.

Akun jäljellä olevan varaustason ilmaisin

Vain akkupaketeille ilmaisimella

- **Kuva2:** 1. Merkkivalot 2. Tarkistuspainike

Painamalla tarkistuspainiketta saat näkyviin akun jäljellä olevan varausten. Merkkivalot palavat muutaman sekunnin ajan.

Merkkivalot		Akussa jäljellä olevan varaus
Palaa	Pois päältä	
		75% - 100%
		50% - 75%
		25% - 50%
		0% - 25%

HUOMAA: Ilmoitettu varaustaso voi erota hieman todellisesta varaustasosta sen mukaan, millaisissa oloissa ja missä lämpötilassa laitetta käytetään.

Akun suojausjärjestelmä

Työkalu on varustettu akun suojausjärjestelmällä. Tämä järjestelmä pidentää akun käyttöikää katkaisemalla moottorin virran automaattisesti.

Työkalu pysähtyy automaattisesti kesken käytön, jos työkalussa tai akussa ilmenee jokin seuraavista tilanteista:

Ylikuormitus:

Työkalua käytetään tavalla, joka saa sen kuluttamaan epätavallisen paljon virtaa.

Katkaise tässä tilanteessa työkalusta virta ja lopeta ylikuormitustilan aiheuttanut käyttö. Käynnistä sitten työkalu uudelleen kytkemällä siihen virta.

Jos työkalu ei käynnisty, akku on ylikuumentunut. Anna tässä tilanteessa akun jäähtyä, ennen kuin kytket työkaluun virran uudelleen.

Alhainen akun jännite:

Akun varaus on liian alhainen eikä riitä työkalun käyttämiseen. Jos kytket työkalun päälle, moottori ei käy tai se alkaa käydä uudelleen, mutta pysähtyy pian. Irrota tässä tilanteessa akku ja lataa se.

Kytkimen käyttäminen

⚠HUOMIO: Varmista ennen akun asentamista työkaluun, että kytkinvipu toimii oikein ja palautuu "POIS PÄÄLTÄ"-asentoon, kun se vapautetaan.

⚠HUOMIO: Pidä laitteesta luotettavasti kiinni siihen asti, kunnes se pysähtyy.

- **Kuva3:** 1. Kytkinvipu

Käynnistä työkalu vetämällä kytkinvipua. Mitä voimakkaammin vipua painetaan, sitä nopeammin työkalu käy. Sammuta työkalu vapauttamalla kytkinvipu.

Etulampun sytyttäminen

⚠HUOMIO: Älä katso suoraan lamppuun tai valonlähteeseen.

Malli DA332D

- **Kuva4:** 1. Lamppu

Malli DA333D

- **Kuva5:** 1. Lamppu

Lamppu syttyy, kun vedät kytkinvivusta. Lamppu palaa niin kauan kuin kytkinvipu on vedettynä. Lamppu sammuu automaattisesti noin 10 sekunnin kuluttua kytkinvivun vapauttamisesta.

HUOMAA: Pyyhi lika pois linssistä kuivalla liinalla. Varo naarmuttamasta linssiä, ettei valoteho laske.

Pyörimissuunnan vaihtokytkimen toiminta

► **Kuva6:** 1. Pyörimissuunnan vaihtokytkimen vipu

⚠HUOMIO: Tarkista aina pyörimissuunta ennen käyttöä.

⚠HUOMIO: Käytä pyörimissuunnan vaihtokytkintä vasta sen jälkeen, kun kone on lakannut kokonaan pyörimästä. Pyörimissuunnan vaihto koneen vielä pyöriessä voi vahingoittaa sitä.

⚠HUOMIO: Aina kun konetta ei käytetä, käännä pyörimissuunnan vaihtokytkin keskiasentoon.

Työkalussa on pyörimissuunnan vaihtokytkin. Jos haluat koneen pyörivän myötöpäivään, paina vaihtokytkintä A-puolelta ja jos vastapäivään, paina sitä B-puolelta.

Jos pyörimissuunnan vaihtokytkin on keskiasennossa, kytkinvipu lukittuu.

KOKOONPANO

⚠HUOMIO: Varmista aina ennen mitään työkalulle tehtäviä toimenpiteitä, että se on sammutettu ja akku irrotettu.

Poranterän kiinnittäminen tai irrottaminen

Lisävaruste

Malli DA332D

► **Kuva7:** 1. Istukan avain

Asenna poranterä työntämällä se istukkaan niin syvälle kuin se menee. Kiristä istukka käsin. Aseta istukan avain kuhunkin kolmesta reiästä ja kiristä myötöpäivään. Varmista, että kiristät kaikki kolme istukan aukkoa yhtä kireälle.

Poranterä irrotetaan kääntämällä istukan avainta vastapäivään vain yhdestä istukan aukosta, jonka jälkeen istukka avataan käsin.

Palauta istukan avain laitteen säilytysuraan käytön jälkeen.

Malli DA333D

► **Kuva8:** 1. Holkki

Pidä laitteesta luotettavasti kiinni ja avaa istukan leuat kääntämällä holkkia vastapäivään. Työnnä poranterä niin syvälle istukkaan kuin se menee. Pidä laitteesta luotettavasti kiinni ja kiristä istukka kääntämällä holkkia myötöpäivään.

Voit irrottaa poranterän pitämällä laitetta paikallaan ja kääntämällä holkkia vastapäivään.

Koukun asentaminen

► **Kuva9:** 1. Ura 2. Koukku 3. Ruuvi

Työkalu voidaan kätevästi ripustaa väliaikaisesti koukuun. Tämä voidaan asentaa kummalle puolelle työkalua tahansa. Asenna koukku työntämällä se työkalun rungon uraan jommallekummalle puolelle ja varmista kiinnitys ruuvilla. Voit irrottaa koukun löysäämällä ja irrottamalla ruuvin.

Istukan avaimen pidike

Vain malli DA332D (lisävaruste)

► **Kuva10:** 1. Istukan avaimen pidike 2. Ruuvi

Voit asentaa istukan avaimen pidikkeen kiinnittämällä sen laiteketelon kuperaan osaan (kummalle tahansa puolelle) ja kiristämällä ruuvilla paikalleen. Voit irrottaa sen löysäämällä ja irrottamalla ruuvin.

TYÖSKENTELY

⚠HUOMIO: Työnnä akkupaketti pohjaan asti, niin että se napsahtaa paikoilleen. Jos painikkeen yläpuolella näkyy punainen ilmaisin, akku ei ole lukkiutunut täysin paikoilleen. Työnnä se pohjaan asti, niin että punaista ilmaisinta ei enää näy. Jos akku ei ole kunnolla paikallaan, se voi pudota työkalusta ja aiheuttaa vammoja joko sinulle tai sivullisille.

⚠HUOMIO: Kun työkalun nopeus pienenee huomattavasti, vähennä työkalun kuormitusta tai pysäytä työkalu, jotta se ei vaurioidu.

⚠HUOMIO: Laitteen käytön aikana ota toisella kädellä luja ote laitteen kahvasta.

Malli DA332D

► **Kuva11**

Malli DA333D

► **Kuva12**

Poraustoiminta

Puun poraaminen

Puuta porattaessa paras lopputulos saadaan ohjausruuvilla varustetuilla puuterillä. Ohjausruuvi helpottaa poraamista vetämällä poranterää työkappaleeseen.

Metallin poraaminen

Poranterän syrjään luiskahtamisen ehkäisemiseksi porauksen alussa, tee ensin porauskohtaan pieni kolo punssilla ja vasaralla. Aseta poran kärki koloon ja aloita poraaminen.

Käytä metallia poratessasi leikkuuöljyä. Poikkeuksena ovat rauta ja messinki, joita tulee porata kuivana.

⚠️HUOMIO: Työkalun painaminen liian voimakkaasti ei nopeuta poraamista. Päinvastoin liiallinen paine vain tylsyyttää poranterää, hidastaa työtä ja lyhentää työkalun käyttöikää.

⚠️HUOMIO: Pidä työkalu tukevassa otteessa ja ole varovainen, kun terä alkaa porautua läpi työkappaleesta. Työkaluun/terään kohdistuu valtava voima, kun terä porautuu läpi.

⚠️HUOMIO: Juuttuneen terän voi irrottaa vaihtamalla terän pyörimissuuntaa ja peruuttaa. Pidä kuitenkin työkalusta lujasti kiinni, sillä se voi tökätä taaksepäin äkkinäisesti.

⚠️HUOMIO: Kiinnitä työkappaleet aina viilapenkkiin tai vastaavaan pidikkeeseen.

⚠️HUOMIO: Jos työkalua käytetään jatkuvasti niin pitkään, että akku tyhjenee, anna työkalun seistä 15 minuuttia ennen kuin jatkat työskentelyä uudella akulla.

KUNNOSSAPITO

⚠️HUOMIO: Varmista aina ennen tarkastusta tai huoltoa, että työkalu on sammutettu ja akku irrotettu.

HUOMAUTUS: Älä koskaan käytä bensiniä, ohenteita, alkoholia tai tms. aineita. Muutoin pinta voi halkeilla tai sen värit ja muoto voivat muuttua. Muutoin laitteeseen voi tulla värjäytyimiä, muodon vääristymiä tai halkeamia.

Tuotteen TURVALLISUUDEN ja LUOTETTAVUUDEN takaamiseksi korjaukset, muut huoltotyöt ja säädöt on teetettävä Makitan valtuutetussa huoltopisteessä Makitan varaosia käyttäen.

LISÄVARUSTEET

⚠️HUOMIO: Seuraavia lisävarusteita tai laitteita suositellaan käytettäväksi tässä ohjeessa kuvatun Makita-työkalun kanssa. Muiden lisävarusteiden tai laitteiden käyttö voi aiheuttaa henkilövahinkoja. Käytä lisävarusteita ja -laitteita vain niiden käyttötarkoituksen mukaisesti.

Jos tarvitset apua tai yksityiskohtaisempia tietoja seuraavista lisävarusteista, ota yhteys paikalliseen Makitan huoltoon.

- Poranterät
- Istukan avain
- Istukan avaimen pidike
- Koukku
- Muovinen kantolaukku
- Aito Makitan akku ja laturi

HUOMAA: Jotkin luettelossa mainitut varusteet voivat sisältyä työkalun toimitukseen vakiovarusteina. Ne voivat vaihdella maittain.

SPECIFIKĀCIJAS

Modelis:		DA332D	DA333D
Urbšanas spēja	Tērauds	10 mm	
	Koks	12 mm	
Ātrums bez slodzes		0 - 1 100 min ⁻¹	
Kopējais garums		313 mm – 332 mm	
Nominālais spriegums		10,8 V - 12 V maks. līdzstrāva	
Akumulatora kasetne		BL1015 / BL1016 / BL1020B / BL1021B / BL1040B / BL1041B	
Neto svars		1,2–1,3 kg	1,2–1,4 kg

- Nepārtrauktās izpētes un izstrādes programmas dēļ šeit uzrādītās specifikācijas var tikt mainītas bez brīdinājuma.
- Specifikācijas un akumulatora kasetne var atšķirties dažādās valstīs.
- Svārs var būt atšķirīgs atkarībā no papildierīces (-ēm), tostarp akumulatora kasetnes. Tabulā ir attēlota vieglākā un smagākā kombinācija atbilstoši EPTA procedūrai 01/2014.

Paredzētā lietošana

Šis darbarīks ir paredzēts koka, metāla un plastmasas urbšanai.

Troksņa līmenis

Tipiskais A svērtais troksņa līmenis noteikts saskaņā ar EN60745:

Modelis DA332D

Skaņas spiediena līmeni (L_{pA}): 70 dB (A) vai mazāk
Mainīgums (K): 3 dB (A)

Modelis DA333D

Skaņas spiediena līmeni (L_{pA}): 70 dB (A) vai mazāk
Mainīgums (K): 3 dB (A)

Darbības laikā troksņa līmenis var pārsniegt 80 dB (A).

BRĪDINĀJUMS: Lietojiet ausu aizsargus.

Vibrācija

Vibrācijas kopējā vērtība (trīsasu vektora summa) noteikta atbilstoši EN60745:

Modelis DA332D

Darba režīms: urbšana metālā
Vibrācijas izmete ($a_{h,D}$): 2,5 m/s² vai mazāk
Mainīgums (K): 1,5 m/s²

Modelis DA333D

Darba režīms: urbšana metālā
Vibrācijas izmete ($a_{h,D}$): 3,0 m/s²
Mainīgums (K): 1,5 m/s²

PIEZĪME: Paziņotā vibrācijas emisijas vērtība noteikta atbilstoši standarta pārbaudes metodei un to var izmantot, lai salīdzinātu vienu darbarīku ar citu.

PIEZĪME: Paziņoto vibrācijas emisijas vērtību arī var izmantot iedarbības sākotnējā novērtējumā.

BRĪDINĀJUMS: Reāli lietojot elektrisko darbarīku, vibrācijas emisija var atšķirties no paziņotās emisijas vērtības atkarībā no darbarīka izmantošanas veida.

BRĪDINĀJUMS: Lai aizsargātu lietotāju, nosakiet drošības pasākumus, kas pamatoti ar iedarbību reālos darba apstākļos (ņemot vērā visus ekspluatācijas cikla posmus, piemēram, laiku, kamēr darbarīks ir izslēgts un kad darbojas tukšgaitā, kā arī palaides laiku).

EK atbilstības deklarācija

Tikai Eiropas valstīm

EK atbilstības deklarācija šajā lietošanas rokasgrāmatā ir iekļauta kā A pielikums.

DROŠĪBAS BRĪDINĀJUMI

Vispārīgi elektrisko darbarīku drošības brīdinājumi

BRĪDINĀJUMS: Izlasiet visus drošības brīdinājumus, instrukcijas, apskatiet ilustrācijas un tehniskos datus, kas iekļauti mehanizētā darbarīka komplektācijā. Ja netiek ievēroti visi tālāk minētie noteikumi, var tikt izraisīta elektrotrauma, notikt aizdegšanās un/vai rasties smagas traumas.

Glabāiet visus brīdinājumus un norādījumus, lai varētu tajos ieskatīties turpmāk.

Termins „elektrisks darbarīks” brīdinājumos attiecas uz tādu elektrisko darbarīku, ko darbina ar elektrību (ar vadu), vai tādu, ko darbina ar akumulatoru (bez vada).

Drošības brīdinājumi bezvada urbmašīnas lietošanai

1. Izmantojiet ar darbarīku piegādātos papildu rokturus. Zaudējot kontroli, var tikt gūtas traumas.
2. Strādājot turiet mehanizēto darbarīku aiz izolētajām satveršanas virsmām gadījumam, ja griezējinstrumentam varētu saskarties ar slēptu elektroinstalāciju. Griezējinstrumentam saskaroties ar vadu zem sprieguma, mehanizētā darbarīka metāla daļas var vadīt spriegumu un radīt operatoram elektrotriecienu.
3. Vienmēr nodrošiniet stabilu pamatu kājām. Ja lietojat darbarīku, strādājot lielā augstumā virs zemes, pārliecinieties, ka apakšā neviena nav.
4. Darbarīku turiet cieši.
5. Turiet rokas tālu no rotējošām daļām.
6. Neatstājiet darbarīku ieslēgtu. Darbiniet darbarīku vienīgi tad, ja turat to rokās.
7. Neskariet urbja uzgali vai apstrādāto detaļu tūlīt pēc darba veikšanas; tie var būt ļoti karsti un var apdedzināt ādu.
8. Daži materiāli satur ķīmiskas vielas, kuras var būt toksiskas. Izvairieties no putekļu ieelpošanas un to nokļūšanas uz ādas. Ievērojiet materiāla piegādātāja drošības datus.
9. Ja urbja uzgali nav iespējams atbrīvot ar tad, ja tiek atvērtas spiles, izvelciet to ārā ar knaiblēm. Ja šādā situācijā vilksiet ārā urbja uzgali ar roku, varat savainoties ar tā asajām malām.

SAGLABĀJIET ŠOS NORĀDĪJUMUS.

▲BRĪDINĀJUMS: NEPIEĻAUJIET to, ka labu iemaņu vai izstrādājuma labas pārzināšanas (darbarīku atkārtoti ekspluatējot) rezultātā vairs stingri neievērojat šī izstrādājuma drošības noteikumus. NEPAREIZI LIETOJOT darbarīku vai neievērojot šajā instrukcijā rokasgrāmatā minētos drošības noteikumus, var tikt gūtas smagas traumas.

Svarīgi drošības norādījumi par akumulatora kasetni

1. Pirms akumulatora lietošanas izlasiet visus norādījumus un brīdinājumus, kuri attiecas uz (1) akumulatora lādētāju, (2) akumulatoru un (3) ierīci, kurā tiek izmantots akumulators.
2. Neizjauciet akumulatoru.
3. Ja akumulatora darbības laiks kļūva ievērojami īsāks, nekavējoties pārtrauciet to izmantot. Citādi, tas var izraisīt pārkaršējumu, uzliesmojumu vai pat sprādzienu.
4. Ja elektrolīts nonāk acīs, izskalojiet tās ar tīru ūdeni un nekavējoties griežieties pie ārsta. Tas var izraisīt redzes zaudēšanu.

5. Neradiet īssavienojumu akumulatora kasetnē:

- (1) Nepieskarieties spaiļēm ar elektrību vadošiem materiāliem.
- (2) Neuzglabājiet akumulatoru kasetni kopā ar citiem metāla priekšmetiem, tādiem kā naglas, monētas u. c.
- (3) Nepakļaujiet akumulatora kasetni ūdens vai lietus iedarbībai.

Akumulatora īssavienojums var radīt spēcīgu strāvas plūsmu, pārkaršanu, uzliesmojumu un pat sabojāt akumulatoru.

6. Neglabājiet darbarīku un akumulatora kasetni vietās, kur temperatūra var sasniegt vai pārsniegt 50 °C (122 °F).
7. Nededziniet akumulatora kasetni, pat ja tā ir stipri bojāta vai pilnībā nolietota. Akumulatora kasetne ugunī var eksplodēt.
8. Uzmanieties, lai neļautu akumulatoram nokrist un nepakļautu to sītiem.
9. Neizmantojiet bojātu akumulatoru.
10. Uz izmantotajiem litija jonu akumulatoriem attiecas likumdošanas prasības par bīstamiem izstrādājumiem. Komerciālā transportēšanā, ko veic, piemēram, trešās puses, transporta uzņēmumi, jāievēro uz iesaiņojuma un marķējuma norādītās īpašās prasības. Lai izstrādājumu sagatavotu nosūtīšanai, jāsaazinās ar bīstamo materiālu speciālistu. Ievērojiet arī citus attiecināmos valsts normatīvus. Vajējus kontaktus nosedziet ar līmlenti vai citādi pārklājiet, bet akumulatoru iesaiņojiet tā, lai sainītas nevarētu izkustēties.
11. Ievērojiet vietējos noteikumus par akumulatora likvidēšanu.

SAGLABĀJIET ŠOS NORĀDĪJUMUS.

▲UZMANĪBU: Lietojiet tikai oriģinālos Makita akumulatorus. Ja lietojat neoriģinālus Makita akumulatorus vai pārveidotus akumulatorus, tie var uzsprāgt un izraisīt aizdegšanos, traumas un materiālos zaudējumus. Tīks anulēta arī Makita darbarīka un lādētāja garantija.

Ieteikumi akumulatora kalpošanas laika pagarināšanai

1. Uzlādējiet akumulatora kasetni, pirms tā ir pilnībā izlādējusies. Vienmēr, kad ievērojāt, ka darbarīka darba jauda zudusi, apturiet darbarīku un uzlādējiet akumulatora kasetni.
2. Nekad neuzlādējiet pilnībā uzlādētu akumulatora kasetni. Pārmērīga uzlāde saīsina akumulatora kalpošanas laiku.
3. Uzlādējiet akumulatora kasetni istabas temperatūrā 10 °C - 40 °C. Karstai akumulatora kasetnei pirms uzlādes ļaujiet atdzist.

FUNKCIJU APRAKSTS

⚠UZMANĪBU: Pirms darbarīka regulēšanas vai tā darbības pārbaudes vienmēr pārliecinieties, ka darbarīks ir izslēgts un akumulatora kasetne ir izņemta.

Akumulatora kasetnes uzstādīšana un izņemšana

⚠UZMANĪBU: Vienmēr pirms akumulatora kasetnes uzstādīšanas vai noņemšanas izslēdziet darbarīku.

⚠UZMANĪBU: Uzstādot vai izņemot akumulatora kasetni, darbarīku un akumulatora kasetni turiet cieši. Ja darbarīku un akumulatora kasetni netur cieši, tie var izkrist no rokām un radīt bojājumus darbarīkam un akumulatora kasetnei, kā arī izraisīt ievainojumus.

- **Att.1:** 1. Sarkanās krāsas indikators 2. Poga 3. Akumulatora kasetne

Lai izņemtu akumulatora kasetni, izvelciet to no darbarīka, pārbindot kasetnes priekšpusē esošo pogu.

Lai uzstādītu akumulatora kasetni, salāgojiet mēlīti uz akumulatora kasetnes ar rievu ietvarā un iebīdīet to vietā. Ievietojiet to līdz galam, līdz tā ar klikšķi nofiksējas. Ja pogas augšējā daļā redzams sarkanās krāsas indikators, tas nozīmē, ka tā nav pilnīgi fiksēta.

⚠UZMANĪBU: Vienmēr ievietojiet akumulatora kasetni tā, lai sarkanais indikators nebūtu redzams. Pretējā gadījumā tā var nejauši izkrist no darbarīka un izraisīt jums vai apkārtējiem traumas.

⚠UZMANĪBU: Neievietojiet akumulatora kasetni ar spēku. Ja kasetne neslīd ietvarā viegli, tā nav pareizi ielikta.

Atlikušās akumulatora jaudas indikators

Tikai akumulatora kasetnēm ar indikatoru

- **Att.2:** 1. Indikatora lampas 2. Pārbaudes poga

Nospiediet akumulatora kasetnes pārbaudes pogu, lai pārbaudītu akumulatora atlikušo uzlādes līmeni. Indikatori iedegsies uz dažām sekundēm.

Indikatora lampas		Atlikusī jauda
lededzies	Izslēgts	
		No 75% līdz 100%
		No 50% līdz 75%
		No 25% līdz 50%
		No 0% līdz 25%

PIEZĪME: Reālā jauda var nedaudz atšķirties no norādītās atkarībā no lietošanas apstākļiem un apkārtējās temperatūras.

Akumulatora aizsardzības sistēma

Darbarīks ir aprīkots ar akumulatora aizsardzības sistēmu. Šī sistēma automātiski izslēdz jaudas padevi motoram, lai pagarinātu akumulatora kalpošanas laiku. Darbarīks automātiski pārstās darboties ekspluatācijas laikā, ja darbarīku un/vai akumulatoru pakļaus kādam no tālāk minētajiem apstākļiem:

Pārslodze:

Darbarīku ekspluatācijas laikā lieto tādā veidā, ka tas saista pārmērīgu strāvu.

Šādā gadījumā izslēdziet darbarīku un pārtrauciet darbarīka pārslodzi izraisījušo darbu. Tad ieslēdziet darbarīku, lai atsāktu darbu.

Ja darbarīks neieslēdzas, akumulators ir pārkarsis. Šādā gadījumā ļaujiet akumulatoram atdzist pirms atkārtotas darbarīka ieslēgšanas.

Zema akumulatora jauda:

Akumulatora uzlādes līmenis ir pārāk zems, tāpēc darbarīks nedarbosies. Ja ieslēgsit darbarīku, motors nesāks darboties vai iedarbosies, taču drīz apstāsies. Šādā gadījumā noņemiet akumulatoru un uzlādējiet.

Slēdža darbība

⚠UZMANĪBU: Pirms akumulatora kasetnes uzstādīšanas darbarīkā vienmēr pārbaudiet, vai slēdža svira darbojas pareizi un pēc atlaišanas atgriežas stāvoklī „OFF” (izslēgts).

⚠UZMANĪBU: Pirms darbarīka izslēgšanas pārliecinieties, vai turat to stingri.

- **Att.3:** 1. Slēdža svira

Lai iedarbinātu darbarīku, vienkārši pavelciet slēdža sviru. Darbarīka ātrums pieaug, palielinoties spiedienam uz slēdža sviru. Lai apturētu darbarīku, atlaidiet slēdža sviru.

Priekšējās lampas ieslēgšana

⚠UZMANĪBU: Neskatieties gaismā, neļaujiet tās avotam iespīdēt acīs.

Modelim DA332D

- **Att.4:** 1. Lampa

Modelim DA333D

- **Att.5:** 1. Lampa

Pavelciet slēdzi, lai ieslēgtu lampu. Lampa turpina degt, kamēr slēdža svira tiek turēta. Aptuveni 10 sekundes pēc slēdža sviras atlaišanas gaisma automātiski nodziest.

PIEZĪME: Ar sausu lupatīņu notīriet netīrumus no lampas lēcas. Izvairieties saskrāpēt lampas lēcu, jo tādējādi tiek samazināts apgaismojums.

Griešanās virziena pārslēdzēja darbība

► **Att.6:** 1. Griešanās virziena pārslēdzēja svira

⚠UZMANĪBU: Pirms sākat strādāt, vienmēr pārbaudiet griešanās virzienu.

⚠UZMANĪBU: Izmantojiet griešanās virziena pārslēdzēju tikai pēc darbarīka pilnīgas apstāšanās. Griešanās virziena maiņa pirms darbarīka pilnīgas apstāšanās var to sabojāt.

⚠UZMANĪBU: Kamēr darbarīks netiek izmantots, vienmēr uzstādiat griešanās virziena pārslēdzēja sviru neitrālajā stāvoklī.

Šis darbarīks ir aprīkots ar pārslēdzēju, kas ļauj mainīt griešanās virzienu. Nospiediet griešanās virziena pārslēdzēja sviru no „A” puses rotācijai pulksteņrādītāju kustības virzienā vai no „B” puses rotācijai pretēji pulksteņrādītāju kustības virzienam. Ja griešanās virziena pārslēdzēja svira atrodas neitrālā stāvoklī, to nevar pavilkt.

MONTĀŽA

⚠UZMANĪBU: Pirms darbarīka regulēšanas vai apkopes vienmēr pārliecinieties, ka darbarīks ir izslēgts un akumulatora kasetne ir izņemta.

Urbja uzgaļa uzstādīšana un noņemšana

Papildu piederumi

Modelim DA332D

► **Att.7:** 1. Spīļpatronas atslēga

Lai uzstādītu urbja uzgali, ievietojiet to spīļpatronā līdz galam. Pievelciet spīļpatronu ar roku. Ievietojiet spīļpatronas atslēgu katrā no trim atverēm un pievelciet pulksteņrādītāju kustības virzienā. Noteikti pievelciet visas trīs spīļpatronas atveres vienmērīgi.

Lai noņemtu urbja uzgali, pagrieziet spīļpatronas atslēgu pretēji pulksteņrādītāju kustības virzienam tikai vienā atverē, pēc tam atskrūvējiet spīļpatronu ar roku. Pēc spīļpatronas atslēgas izmantošanas ievietojiet to uz darbarīka esošajā glabāšanas dobumā.

Modelim DA333D

► **Att.8:** 1. Uzmava

Cieši turiet darbarīku un pagrieziet uzmavu pretēji pulksteņrādītāju kustības virzienam, lai atvērtu spīļpatronas spīles. Ievietojiet urbja uzgali spīļpatronā līdz galam. Stingri turiet darbarīku un pagrieziet uzmavu pulksteņrādītāju kustības virzienā, lai pievilktu spīļpatronu. Lai izņemtu urbja uzgali, turiet darbarīku un grieziet uzmavu pretēji pulksteņrādītāju kustības virzienam.

Āķa uzstādīšana

► **Att.9:** 1. Rieva 2. Āķis 3. Skrūve

Āķis ir noderīgs, ja darbarīks uz kādu laiku ir jāpakar. To var uzstādīt jebkurā darbarīka pusē. Lai uzstādītu āķi, ievietojiet to rievē jebkurā darbarīka korpusa pusē, un tad ar skrūvi pieskrūvējiet. Lai to izņemtu, atlaidiet skrūvi un izņemiet.

Spīļpatronas atslēgas turētājs

Tikai modelim DA332D (papildu piederums)

► **Att.10:** 1. Spīļpatronas atslēgas turētājs 2. Skrūve

Lai uzstādītu spīļpatronas atslēgas turētāju, pievienojiet to pie darbarīka korpusa izliktās daļas jebkurā pusē un piestipriniet ar skrūvi. Lai to izņemtu, atlaidiet skrūvi un izņemiet.

EKSPLUATĀCIJA

⚠UZMANĪBU: Vienmēr ievietojiet akumulatoru kasetni līdz galam, līdz tā nofiksējas. Ja pogas augšējā daļā redzams sarkanas krāsas indikators, tas nozīmē, ka tā nav pilnīgi fiksēta. Iebīdīet to tā, lai sarkanais indikators nebūtu redzams. Pretējā gadījumā akumulators var nejauši izkrist no darbarīka un radīt jums vai apkārtējiem traumas.

⚠UZMANĪBU: Ja ātrums ievērojami pazeminās, samaziniet slodzi vai apturiet darbarīku, lai nepieļautu darbarīka bojājumus.

⚠UZMANĪBU: Strādājot ar darbarīku, turiet to cieši ar vienu roku aiz darbarīka satveršanas daļas.

Modelim DA332D

► **Att.11**

Modelim DA333D

► **Att.12**

Urbšana

Urbšana kokā

Urbjot kokā, vislabākie rezultāti iegūstami ar kokurbja uzgaļiem, kuri aprīkoti ar vadskrūvi. Vadskrūve atvieglo urbšanu, virzot urbja uzgali apstrādes detaļā.

Urbšana metālā

Lai novērstu urbja uzgaļa slīdēšanu, sākot urbšanu, vispirms ar punktsiti un āmuru izveidojiet iedobi vietā, kur jāurbj. Novietojiet urbja uzgali iedobē un sāciet urbt. Urbjot metālā, izmantojiet griešanas smērvielu. Izņēmums ir dzelzs un misiņš, kuri jāurbj bez smērvielām.

⚠UZMANĪBU: Pārmērīgs spiediens uz darbarīku urbšanas ātrumu nepaliecinās. Patiesībā pārmērīgs spiediens tikai sabojās urbja uzgali, samazinās darbarīka jaudu un saīsinās tā kalpošanas laiku.

⚠UZMANĪBU: Stingri turiet darbarīku un īpaši uzmanieties brīdī, kad urbja uzgali sāks virzīties cauri apstrādājamaļ daļai. Cauruma izveides brīdī uz darbarīku un uzgali iedarbojas ļoti liels spēks.

⚠UZMANĪBU: Iestrēgušu urbja uzgali var atbrīvot, vienkārši uzstādot griešanās virziena pārslēdzēju pretējā virzienā, lai urbis tiktu virzīts atpakaļ virzienā uz āru. Taču uzmanieties, jo, ja ierīci neturēsiet stingri, tā var strauji virzīties atpakaļ.

⚠UZMANĪBU: Nelielas apstrādājamas detaļas vienmēr ievietojiet skrūvspīlēs vai citā stiprinājuma ierīcē.

⚠UZMANĪBU: Ja darbarīks tiek darbināts nepārtraukti, līdz akumulatora kasetne ir izlādējusies, pirms turpināt darbu ar jaunu akumulatoru, izslēdziet darbarīku uz 15 minūtēm.

APKOPE

⚠UZMANĪBU: Pirms darbarīka pārbaudes vai apkopes vienmēr pārliecinieties, ka darbarīks ir izslēgts un akumulatora kasetne ir izņemta.

IEVĒRĪBAI: Nekad neizmantojiet gāzoliņu, benzīnu, atšķaidītāju, spirtu vai līdzīgus šķidrumus. Tas var radīt izbalēšanu, deformāciju vai plaisas.

Lai saglabātu izstrādājuma DROŠU un UZTICAMU darbību, remontdarbus, apkopi un regulēšanu uzticiet veikt tikai Makita pilnvarotam vai rūpnīcas apkopes centram, un vienmēr izmantojiet tikai Makita rezerves daļas.

PAPILDU PIEDERUMI

⚠UZMANĪBU: Šādi piederumi un papildierīces tiek ieteiktas lietošanai ar šajā rokasgrāmatā aprakstīto Makita darbarīku. Izmantojot citus piederumus vai papildierīces, var tikt radīta trauma gūšanas bīstamība. Piederumu vai papildierīci izmantojiet tikai paredzētajam mērķim.

Ja jums vajadzīga palīdzība vai precīzāka informācija par šiem piederumiem, vērsieties savā tuvākajā Makita apkopes centrā.

- Urbja uzgali
- Spīlpatronas atslēga
- Spīlpatronas atslēgas turētājs
- Āķis
- Plastmasas pārnēsāšanas soma
- Makita oriģinālais akumulators un lādētājs

PIEZĪME: Daži sarakstā norādītie izstrādājumi var būt iekļauti instrumenta komplektācijā kā standarta piederumi. Tie dažādās valstīs var būt atšķirīgi.

SPECIFIKACIJOS

Modelis:		DA332D	DA333D
Gręžimo pajėgumas	Plienas	10 mm	
	Medis	12 mm	
Be apkrovos		0 – 1 100 min ⁻¹	
Bendrasis ilgis		313 mm – 332 mm	
Vardinė įtampa		Nuolatinė srovė 10,8 V – 12 V (daugiausiai)	
Akumuliatoriaus kasetė		BL1015 / BL1016 / BL1020B / BL1021B / BL1040B / BL1041B	
Grynasis svoris		1,2 – 1,3 kg	1,2 – 1,4 kg

- Atlikame tęstinius tyrimus ir nuolatos tobuliname savo gaminius, todėl čia pateikiamos specifikacijos gali būti keičiamos be įspėjimo.
- Įvairiose šalyse specifikacijos ir akumuliatoriaus kasetė gali skirtis.
- Svoris gali priklausyti nuo priedo (-ų), įskaitant akumuliatoriaus kasetę. Lengviausias ir sunkiausias deriniai pagal EPTA 2014 m. sausio mėn. procedūrą yra parodyti lentelėje.

Numatytoji naudojimo paskirtis

Šis įrenginys skirtas medienai, metalui ir plastikui gręžti.

Triukšmas

Įprastas triukšmo A lygis, nustatytas pagal EN60745:

Modelis DA332D

Garso slėgio lygis (L_{pA}): 70 dB (A) arba mažiau

Paklaida (K): 3 dB (A)

Modelis DA333D

Garso slėgio lygis (L_{pA}): 70 dB (A) arba mažiau

Paklaida (K): 3 dB (A)

Dirbant triukšmo lygis gali viršyti 80 dB (A).

ĮSPĖJIMAS: Dėvėkite ausų apsaugą.

Vibracija

Vibracijos bendroji vertė (trიაšio vektorius suma) nustatyta pagal EN60745 standartą:

Modelis DA332D

Darbo režimas: metalo gręžimas

Vibracijos emisija ($a_{h,D}$): 2,5 m/s² arba mažiau

Paklaida (K): 1,5 m/s²

Modelis DA333D

Darbo režimas: metalo gręžimas

Vibracijos emisija ($a_{h,D}$): 3,0 m/s²

Paklaida (K): 1,5 m/s²

PASTABA: Paskelbtasis vibracijos emisijos dydis nustatytas pagal standartinį testavimo metodą ir jį galima naudoti vienam įrankiui palyginti su kitu.

PASTABA: Paskelbtasis vibracijos emisijos dydis taip pat gali būti naudojamas preliminariai įvertinti vibracijos poveikį.

ĮSPĖJIMAS: Faktiškai naudojant elektrinį įrankį, keliamos vibracijos dydis gali skirtis nuo paskelbto dydžio, priklausomai nuo būdų, kuriais yra naudojamas šis įrankis.

ĮSPĖJIMAS: Siekdami apsaugoti operatorių, būtinai įvertinkite saugos priemones, remdamiesi vibracijos poveikio įvertinimu esant faktinėms naudojimo sąlygoms (atsižvelgdami į visas darbo ciklo dalis, pavyzdžiui, ne tik kiek laiko įrankis veikia, bet ir kiek kartų jis yra išjungiamas bei kai jis veikia be apkrovų).

EB atitikties deklaracija

Tik Europos šalims

EB atitikties deklaracija yra pridedama kaip šio instrukcijų vadovo A priedas.

SAUGOS ĮSPĖJIMAI

Bendrieji įspėjimai dirbant elektriniais įrankiais

ĮSPĖJIMAS: Perskaitykite visus saugos įspėjimus, instrukcijas, iliustracijas ir techninius duomenis, pateiktus kartu su šiuo elektriniu įrankiu. Nesilaikant visų toliau išvardytų instrukcijų galima patirti elektros smūgį, gali kilti gaisras ir (arba) galima sunkiai susižaloti.

Išsaugokite visus įspėjimus ir instrukcijas, kad galėtumėte jas peržiūrėti ateityje.

Terminas „elektrinis įrankis“ pateiktuose įspėjimuose reiškia į maitinimo tinklą jungiamą (laidinį) elektrinį įrankį arba akumuliatoriaus maitinamą (belaidį) elektrinį įrankį.

Saugos įspėjimai dėl akumulatorinio grąžto naudojimo

1. Naudokite su įrankiu pridėtą išorinę rankeną (rankenas). Nesuvaldžius įrankio, galima susižeisti.
2. Atlikdami darbus, kurių metu pjovimo antgalis gali paliesti paslėptus laidus, laikykite elektrinį įrankį tik už izoliuotų, laikyti skirtų paviršių. Pjovimo antgaliui prisilietus prie laido, kuriuo teka elektros srovė, neizoliuotos metalinės elektrinio įrankio dalys gali sukelti elektros smūgį ir nutrenkti operatorių.
3. Būtinai įsitikinkite, kad tvirtai stovite. Jei naudojate įrankį aukštai, įsitikinkite, ar apačioje nėra žmonių.
4. Tvirtai laikykite įrenginį.
5. Laikykite rankas toliau nuo sukamųjų dalių.
6. Nepalikite veikiančio įrankio. Naudokite įrankį tik laikydami rankomis.
7. Nelieskite grąžto arba nuošinio iškart po naudojimo; jie gali būti itin karšti ir gali nudeginti odą.
8. Kai kuriose medžiagose esama cheminių medžiagų, kurios gali būti nuodingos. Saugokitės, kad neįkvėptumėte dulkių ir nesiliestumėte oda. Laikykites medžiagų tiekėjo saugos duomenų.
9. Jei grąžtas neatsilaisvina net atidarius žiotis, ištraukite jį replėmis. Šiuo atveju traukdami grąžtą rankomis galite susižeisti į aštrų kraštą.

SAUGOKITE ŠIAS INSTRUKCIJAS.

⚠️ ĮSPĖJIMAS: NELEISKITE, kad patogumas ir gaminio pažinimas (įgyjamas pakartotinai naudojant) susilpnintų griežtą saugos taisyklių, taikytinų šiam gaminiui, laikymąsi. Dėl NETINKAMO NAUDOJIMO arba saugos taisyklių, kurios pateiktos šioje instrukcijoje, nesilaikymo galima rimtai susižeisti.

Svarbios saugos instrukcijos, taikomos akumulatoriaus kasetei

1. Prieš naudodami akumulatoriaus kasetę, perskaitykite visas instrukcijas ir perspėjimus ant (1) akumuliatorių įkroviklio, (2) akumuliatorių ir (3) akumuliatorių naudojančio gaminio.
2. Neardykite akumulatoriaus kasetės.
3. Jei įrankio darbo laikas žymiai sutrumpėjo, nedelsdami nutraukite darbą su įrankiu. Tai gali kelti perkaitimo, nudegimų ar net sprogdimo pavojų.
4. Jei elektrolitas pateko į akis, plaukite jas tyru vandeniu ir nedelsdami kreipkitės į gydytoją. Gali kilti regėjimo praradimo pavojus.

5. Neužtrumpinkite akumulatoriaus kasetės:
 - (1) Nelieskite kontaktų degiomis medžiagomis.
 - (2) Venkite laikyti akumulatoriaus kasetę kartu su kitais metaliniais daiktais, pavyzdžiui, vinimis, monetomis ir pan.
 - (3) Saugokite akumulatoriaus kasetę nuo vandens ir lietaus.Trumpasis jungimas akumulatoriuje gali sukelti stiprią srovę, perkaitimą, galimus nudegimus ar net akumulatoriaus gedimą.
6. Nelaikykite įrankio ir akumulatoriaus kasetės vietose, kur temperatūra gali pasiekti ar viršyti 50 °C.
7. Nedeginkite akumulatoriaus kasetės, net jei yra stipriai pažeista ar visiškai susidėvėjusi. Ugnyje akumulatoriaus kasetė gali sprogti.
8. Saugokite akumuliatorių nuo kritimo ir smūgių.
9. Nenaudokite pažeisto akumulatoriaus.
10. Įdėtomis ličio jonų akumuliatoriams taikomi Pavojingų prekių teisės akto reikalavimai. Komercinis transportas, pvz., trečiųjų šalių, prekių vežimo atstovų, turi laikytis specialaus reikalavimo ant pakuotės ir ženklinimo. Norėdami paruošti siųstiną prekę, pasitarkite su pavojingų medžiagų specialistu. Be to, laikykites galimai išsamesnių nacionalinių reglamentų. Užklijuokite juosta arba padenkite atvirus kontaktus ir supakuokite akumuliatorių taip, kad ji pakuotėje nejudėtų.
11. Vadovaukitės vietos įstatymais dėl akumuliatorių išmetimo.

SAUGOKITE ŠIAS INSTRUKCIJAS.

⚠️ PERSPĖJIMAS: Naudokite tik originalų „Makita“ akumuliatorių. Neoriginalaus „Makita“ arba pakeisto akumulatoriaus naudojimas gali nulemti gaisrą, asmens sužalojimą ir pažeidimą. Tai taip pat panaikina „Makita“ suteikiamą „Makita“ įrankio ir įkroviklio garantiją.

Patarimai, ką daryti, kad akumuliatorius veiktų kuo ilgiau

1. Pakraukite akumulatoriaus kasetę prieš ją visiškai išsikraunant. Visuomet nustokite naudoti įrankį ir pakraukite akumulatoriaus kasetę, kai pastebite, kad įrankio galia sumažėjo.
2. Niekada nekraukite iki galo įkrautos akumulatoriaus kasetės. Perkraunant trumpėja akumulatoriaus eksploatacijos laikas.
3. Akumulatoriaus kasetę kraukite esant kambario temperatūrai 10 - 40 °C. Prieš pradėdami krauti, leiskite įkaitusiai akumulatoriaus kasetei atvėsti.

VEIKIMO APRAŠYMAS

⚠️ PERSPĖJIMAS: Prieš pradėdami reguliuoti arba tikrinti įrankio veikimą, visuomet būtinai išjunkite įrankį ir išimkite akumuliatoriaus kasetę.

Akumuliatoriaus kasetės uždėjimas ir nuėmimas

⚠️ PERSPĖJIMAS: Prieš įdėdami arba išimdami akumuliatoriaus kasetę, visada išjunkite įrankį.

⚠️ PERSPĖJIMAS: Įdėdami arba išimdami akumuliatoriaus kasetę, tvirtai laikykite įrankį ir akumuliatoriaus kasetę. Jeigu įrankį ir akumuliatoriaus kasetę laikysite netvirtai, jie gali išslysti iš jūsų rankų, todėl įrankis ir akumuliatoriaus kasetė gali būti sugadinti, o naudotojas sužalotas.

► **Pav.1:** 1. Raudonas indikatorius 2. Mygtukas 3. Akumuliatoriaus kasetė

Jei norite išimti akumuliatoriaus kasetę, ištraukite ją iš įrankio, stumdami mygtuką, esantį kasetės priekyje.

Jei norite įdėti akumuliatoriaus kasetę, sulygiuokite liežuvelį ant akumuliatoriaus kasetės su grioveliu korpuso ir įstumkite į jai skirtą vietą. Įdėkite iki galo, kol spragtelėdama užsifiksuos. Jeigu matote raudoną indikatorių viršutinėje mygtuko pusėje, ji nėra visiškai užfiksuota.

⚠️ PERSPĖJIMAS: Akumuliatoriaus kasetę visada įkiškite iki galo, kol nebematysite raudono indikatoriaus. Priešingu atveju ji gali atsitiktinai iškristi iš įrankio, sužeisti jus arba aplinkinius.











⚠️ PERSPĖJIMAS: Nekiškite akumuliatoriaus kasetės įėga. Jeigu kasetė sunkiai lenda, ją kišate netinkamai.

Likusios akumuliatoriaus galios rodymas

Tik akumuliatoriaus kasetėms su indikatoriumi

► **Pav.2:** 1. Indikatorijų lemputės 2. Tikrinimo mygtukas

Paspauskite akumuliatoriaus kasetės tikrinimo mygtuką, kad būtų rodoma likusi akumuliatoriaus energija. Maždaug trims sekundėms užsidegs indikatorijų lemputės.

Indikatorijų lemputės		Likusi galia
 Šviečia	 Nešviečia	
		75% - 100%
		50% - 75%
		25% - 50%
		0% - 25%

PASTABA: Rodmuo gali šiek tiek skirtis nuo faktinės energijos lygio – tai priklauso nuo naudojimo sąlygų ir aplinkos temperatūros.

Akumuliatoriaus apsaugos sistema

Įrankyje įrengta akumuliatoriaus apsaugos sistema. Ši sistema automatiškai atjungia variklio maitinimą, kad pailgėtų akumuliatoriaus naudojimo laikas. Įrankis automatiškai išsijungs darbo metu, esant vienai iš šių įrankio ir (arba) akumuliatoriaus darbo sąlygų:

Perkrautas:

įrankis naudojamas taip, kad jame neįprastai padidėja elektros srovė.

Tokiu atveju atleiskite įrankio gaiduką ir nutraukite darbą, dėl kurio kilo įrankio perkrova. Po to vėl įjunkite įrankį.

Jeigu įrankis neįsijungia, reiškia perkaito akumuliatorius. Tokiu atveju palaukite, kol akumuliatorius atvės, paskui vėl galite įjungti įrankį.

Žema akumuliatoriaus įtampa:

Likusi akumuliatoriaus galia per maža, todėl įrankis neveiks. Įjungus įrankį, variklis neveikia arba pradeda veikti, bet netrukus vėl išsijungia. Tokiu atveju išimkite akumuliatorių ir jį įkraukite.

Jungiklio veikimas

⚠️ PERSPĖJIMAS: Prieš dėdami akumuliatoriaus kasetę į įrankį, visuomet patikrinkite, ar svirtelė tinkamai veikia ir atleista grįžta į išjungimo padėtį „OFF“.

⚠️ PERSPĖJIMAS: Prieš išjungdami įrankį įsitikinkite, kad jį laikote tvirtai.

► **Pav.3:** 1. Svirtinis jungiklis

Norėdami įjungti įrankį, tiesiog patraukite už jungiklio svirtelės. Įrankio greitis didėja didinant spaudimą į svirtelę. Jei norite sustabdyti įrankį, atleiskite svirtinį jungiklį.

Priekinės lemputės uždegimas

⚠️ PERSPĖJIMAS: Nežiūrėkite tiesiai į šviesą arba šviesos šaltinį.

Modeliui DA332D

► **Pav.4:** 1. Lemputė

Modeliui DA333D

► **Pav.5:** 1. Lemputė

Patraukite jungiklio svirtelę, kad užsidegtų lemputė. Lemputė dega tol, kol traukiama jungiklio svirtelė. Atleidus svirtelę, lemputė automatiškai išsijungia po maždaug 10 sekundžių.

PASTABA: Purvą nuo lempos objektyvo nuvalykite sausu skudurėliu. Būkite atsargūs, kad nesubraižytumėte lempos objektyvo, nes pablogės apšvietimas.

Atbulinės eigos jungimas

► **Pav.6:** 1. Atbulinės eigos svirtelė

⚠ PERSPĖJIMAS: Prieš naudodami visuomet patikrinkite sukimosi kryptį.

⚠ PERSPĖJIMAS: Atbulinės eigos jungiklį naudokite tik įrankiui visiškai sustojus. Jei keisite sukimosi kryptį prieš įrankiui sustojant, galite sugadinti įrankį.

⚠ PERSPĖJIMAS: Kai nenaudojate įrankio, visuomet nustatykite atbulinės eigos jungiklio svirtelę į neutralią padėtį.

Šis įrankis turi atbulinės eigos jungiklį sukimosi kryptiai keisti. Nuspauskite atbulinės eigos jungiklio svirtelę iš A pusės, kad suktysi pagal laikrodžio rodyklę, arba iš B pusės, kad suktysi prieš laikrodžio rodyklę. Kai atbulinės eigos svirtelė yra nustatyta į neutralią padėtį, svirtelės patraukti negalima.

SURINKIMAS

⚠ PERSPĖJIMAS: Prieš darydami ką nors įrankiui visada patikrinkite, ar įrenginys išjungtas, o akumuliatorių kasetė – nuimta.

Grąžtų galvūčių dėjimas ir išėmimas

Pasirenkamas priedas

Modeliui DA332D

► **Pav.7:** 1. Kumštelinio griebtuvo raktas

Jei norite įdėti grąžto galvutę, dėkite ją į kumštelinį griebtuvą tiek giliai, kiek lenda. Ranka priveržkite kumštelinį griebtuvą. Įkiškite kumštelinio griebtuvo raktą į kiekvieną iš trijų skylių ir priveržkite pagal laikrodžio rodyklę. Būtinai vienodai priveržkite visas tris kumštelinio griebtuvo skyles.

Jei norite išimti grąžto galvutę, pasukite kumštelinio griebtuvo raktą prieš laikrodžio rodyklę tik vienoje skylyje, tada ranka atlaisvinkite kumštelinį griebtuvą. Pasinaudoję grąžinkite kumštelinio griebtuvo raktą į įrankyje esančią laikymo ertmę.

Modeliui DA333D

► **Pav.8:** 1. Įvorė

Tvirtai laikydami įrankį, pasukite įvorę prieš laikrodžio rodyklę, kad atidarytumėte griebtuvo žiotis. Įkiškite grąžto galvutę į kumštelinį griebtuvą tiek giliai, kiek lenda. Tvirtai laikydami įrankį, pasukite įvorę pagal laikrodžio rodyklę, kad užveržtumėte kumštelinį griebtuvą. Jei norite išimti grąžto galvutę, tvirtai laikydami įrankį, pasukite įvorę prieš laikrodžio rodyklę.

Kabliuko montavimas

► **Pav.9:** 1. Griovelis 2. Kablys 3. Varžtas

Kablys yra patogus, kai norite trumpam pakabinti įrankį. Jį galima uždėti bet kurioje įrankio pusėje. Norėdami sumontuoti kablį, įkiškite jį į bet kurioje įrankio korpuso pusėje esantį griovelį, po to priveržkite jį varžtu. Norėdami kablį nuimti, atsukite varžtą ir nuimkite jį.

Kumštelinio griebtuvo raktų laikiklis

Tik modeliui DA332D (pasirenkamas priedas)

► **Pav.10:** 1. Kumštelinio griebtuvo raktų laikiklis 2. Varžtas

Jei norite uždėti kumštelinio griebtuvo raktų laikiklį, pritvirtinkite jį prie bet kuriame šone esančios išgaubtos įrankio korpuso dalies ir užveržkite varžtu. Norėdami kablį nuimti, atsukite varžtą ir nuimkite jį.

NAUDOJIMAS

⚠ PERSPĖJIMAS: Visuomet iki galo įkiškite akumuliatoriaus kasetę, kad tinkamai užsifikuotų. Jeigu matote raudoną indikatorių viršutinėje mygtuko pusėje, ji nėra visiškai užsifikuota. Įstumkite ją iki galo tol, kol nebematysite raudono indikatoriaus. Priešingu atveju ji gali atsitiktinai iškristi iš įrankio, sužeisti jus arba aplinkinius.

⚠ PERSPĖJIMAS: Jeigu greitis nepaprastai smarkiai sumažėja, sumažinkite apkrovą arba išjunkite įrankį, kad jis nebūtų sugadintas.

⚠ PERSPĖJIMAS: Naudodami įrankį, tvirtai laikykite jį viena ranka už įrankio korpuso rankenos.

Modeliui DA332D

► **Pav.11**

Modeliui DA333D

► **Pav.12**

Gręžimas

Medienos gręžimas

Kai gręžiate medieną, geriausi rezultatai gaunami su grąžtais, turinčiais pagrindinį varžtą. Kreipiamasis sraigtas palengvina gręžimą, įtraukdamas grąžto galvutę į ruošinį.

Metalo gręžimas

Kad grąžto galvutė nelystų, kai pradėdate gręžti skylę, įmuškite duobutę centro muškėliu ir plaktuku numatomoje gręžimo vietoje. Pridėkite grąžto galvutės galą prie įdubimo ir pradėkite gręžti. Gręždami metalus, naudokite pjovimo tepalą. Išimtytys – geležis ir žvalvaris, kuriais reikia gręžti sausai.

⚠PERSPĖJIMAS: Per didelis įrankio spaudimas nepagreitins gręžimo. Iš tikrųjų dėl tokio spaudimo gali būti pažeista grąžto galvutė, pablogėti įrankio darbas ir sutrumpėti jo eksploataavimo trukmė.

⚠PERSPĖJIMAS: Laikykite įrankį tvirtai ir atsargiai žiūrėkite, kada grąžto galvutė pradės gręžti ruošinį. Įrankį / grąžto galvutę veikia didelė sukamoji jėga, kai gręžiama skylė.

⚠PERSPĖJIMAS: Įstrigusią grąžto galvutę galima ištraukti tiesiog atbulinės eigos jungiklių nustatant į atbulinės eigos padėtį. Tačiau įrankis gali grubiai judėti atgal, jei tvirtai nelaikysite įrankio.

⚠PERSPĖJIMAS: Visada pritvirtinkite apdirbamus gaminius spaustuvoose arba panašiam prilaikymo prietaisui.

⚠PERSPĖJIMAS: Jei įrankis naudojamas tol, kol akumulatoriaus kasetė išsikrauna, leiskite įrankiui pailsėti 15 minučių prieš tęsdami su kitu akumulatoriumi.

TECHNINĖ PRIEŽIŪRA

⚠PERSPĖJIMAS: Visuomet įsitinkinkite, ar įrankis yra išjungtas ir akumulatoriaus kasetė yra nuimta prieš atlikdami apžiūrą ir priežiūrą.

PASTABA: Niekada nenaudokite gazolino, benzino, tirpiklio, spirito arba panašių medžiagų. Gali atsirasti išblukimų, deformacijų arba įtrūkimų.

Kad gaminys būtų SAUGUS ir PATIKIMAS, jį taisyti, apžiūrėti ar vykdyti bet kokią kitą priežiūrą ar derinimą turi įgaliotasis kompanijos „Makita“ techninės priežiūros centras; reikia naudoti tik kompanijos „Makita“ pagamintas atsargines dalis.

PASIRENKAMI PRIEDAI

⚠PERSPĖJIMAS: Šiuos papildomus priedus arba įtaisus rekomenduojama naudoti su šioje instrukcijoje nurodytu „Makita“ bendrovės įrankiu. Naudojant bet kokius kitus papildomus priedus arba įtaisus, gali kilti pavojus sužeisti žmones. Naudokite tik nurodytam tikslui skirtus papildomus priedus arba įtaisus.

Jeigu norite daugiau sužinoti apie tuos priedus, kreipkitės į artimiausią „Makita“ techninės priežiūros centrą.

- Grąžtai
- Kumštelinio griebtuvo raktas
- Kumštelinio griebtuvo rakto laikiklis
- Kablys
- Plastikinis dėklas
- Originalus „Makita“ akumulatorius ir įkroviklis

PASTABA: Kai kurie sąraše esantys priedai gali būti pateikti įrankio pakuotėje kaip standartiniai priedai. Jie įvairiose šalyse gali skirtis.

TEHNILISED ANDMED

Mudel:		DA332D	DA333D
Puurimisvõimekus	Teras	10 mm	
	Puit	12 mm	
Koormuseta kiirus		0 - 1 100 min ⁻¹	
Üldpikkus		313 mm – 332 mm	
Nimipinge		Alalisvool 10,8 V - 12 V max	
Akukassett		BL1015 / BL1016 / BL1020B / BL1021B / BL1040B / BL1041B	
Netokaal		1,2 - 1,3 kg	1,2 - 1,4 kg

- Meie pideva uuringu- ja arendusprogrammi tõttu võidakse tehnilisi andmeid muuta ilma sellest ette teatamata.
- Tehnilised andmed ja akukassett võivad riigiti erineda.
- Kaal võib erineda olenevalt lisaseadistest, kaasa arvatud akukassetist. Kergeim ja raskeim kombinatsioon EPTA-protseduuri 01/2014 kohaselt on toodud tabelis.

Kavandatud kasutus

See tööriist on mõeldud puidu, metalli ja plasti puurimiseks.

Müra

Tüüpiline A-korrigeeritud müratase, määratud standardi EN60745 kohaselt:

Mudel DA332D

Helirõhutase (L_{pA}): 70 dB (A) või vähem
Määramatus (K): 3 dB (A)

Mudel DA333D

Helirõhutase (L_{pA}): 70 dB (A) või vähem
Määramatus (K): 3 dB (A)

Töötamisel võib müratase ületada 80 dB (A).

⚠ HOIATUS: Kasutage kõrvakaitsmeid.

Vibratsioon

Vibratsiooni koguväärtus (kolmeteljeliste vektorite summa) määratud standardi EN60745 kohaselt:

Mudel DA332D

Töörežiim: metalli puurimine
Vibratsiooniheid ($a_{h,D}$): 2,5 m/s² või vähem
Määramatus (K): 1,5 m/s²

Mudel DA333D

Töörežiim: metalli puurimine
Vibratsiooniheid ($a_{h,D}$): 3,0 m/s²
Määramatus (K): 1,5 m/s²

MÄRKUS: Deklareeritud vibratsiooniheid väärtus on mõeldud kooskõlas standardse testimismeetodiga ning seda võib kasutada ühe seadme võrdlemiseks teisega.

MÄRKUS: Deklareeritud vibratsiooniheid väärtust võib kasutada ka mürataseme esmaseks hindamiseks.

⚠ HOIATUS: Vibratsioonitase võib elektritööriista tegelikkuses kasutamise ajal erineda deklareeritud väärtusest olenevalt tööriista kasutamise viisidest.

⚠ HOIATUS: Rakendage operaatori kaitsmiseks kindlasti piisavaid ohutusabinõusid, mis põhinevad hinnangulisel müratasemel tegelikus tööolukorras (võttes arvesse tööperioodi kõiki osasid, nagu näiteks korrad, kui seade lülitatakse välja ja seade töötab tühikäigul, lisaks tööajale).

EÜ vastavusdeklaratsioon

Ainult Euroopa riikide puhul

EÜ vastavusdeklaratsioon sisaldub käesoleva juhendi Lisas A.

OHUTUSHOIATUSED

Üldised elektritööriistade ohutushoiatused

⚠ HOIATUS: Lugege läbi kõik selle elektritööriistaga kaasas olevad ohutushoiatused, juhised, joonised ja tehnilised andmed. Järgnevate juhiste eiramine võib põhjustada elektrilöögi, süttimise ja/või raske kehavigastuse.

Hoidke edaspidisteks viide- teks alles kõik hoiatused ja juhtnöörid.

Hoiatustes kasutatud termini „elektritööriist“ all peetakse silmas elektriga töötavaid (juhtmega) elektritööriistu või akuga töötavaid (juhtmeta) elektritööriistu.

Juhtmeta puurtrelli ohutusnõuded

1. Kasutage lisakäepidet/pidemeid, kui need on tööriistadega kaasas. Kontrolli puudumine võib põhjustada inimestele vigastusi.
2. Hoidke elektritööriista töö ajal isoleeritud haardepindadest, kui löikeriist võib kokku puutuda peidetud juhtmetega. Voolu all oleva juhtmega kokkupuutesse sattunud lõiketera võib pingestada elektritööriista metalloosi ning põhjustada kasutajale elektrilöögi.
3. Veenduge alati, et teie jalgealune oleks kindel. Kui töotate kõrguses, siis jälgige, et teist allpool ei viibiks inimesi.
4. Hoidke tööriistast kindlalt kinni.
5. Hoidke käed eemal pöörlevatest osadest.
6. Ärge jätke tööriista käima. Käivitage tööriist ainult siis, kui hoiate seda käes.
7. Ärge puutuge puuri või töödeldavat detaili vahetult peale puurimist; need võivad olla väga kuumad ja põhjustada põletushaavu.
8. Mõned materjalid võivad sisaldada mürgiseid aineid. Võtke meetmeid tolmusissehingamise ja nahaga kokkupuute vältimiseks. Järgige materjali tarnija ohustusteavet.
9. Kui puuri ei saa lödvemaks lasta, isegi kui haartsid avate, kasutage selle väljatõmbamiseks tange. Sellisel juhul võib puuri terav serv tekitada selle käega väljatõmbamisel vigastusi.

HOIDKE JUHEND ALLES.

⚠HOIATUS: ÄRGE UNUSTAGE järgida toote ohutusnõudeid mugavuse või toote (korduskasutamise saavutatud) hea tundmise tõttu. VALE KASUTUS või kasutusjuhendi ohutuseeskirjade eiramine võib põhjustada tervisekahjustusi.

Akukassetiga seotud olulised ohutusjuhised

1. Enne akukasseti kasutamist lugege (1) akulaadiljal, (2) akul ja (3) seadmel olevad juhtnõudid ja hoiatused läbi.
2. Ärge võtke akukassetti lahti.
3. Kui tööaeg järsult lüheneb, siis lõpetage kohe kasutamine. Edasise kasutamise tulemuseks võib olla ülekuumenemisoht, võimalikud põletused või isegi plahvatus.
4. Kui elektrolüüti satub silma, siis loputage silma puhta veega ja pöörduge koheselt arsti poole. Selline õnnetus võib põhjustada pimedaksjäämist.
5. Ärge tekitage akukassetis lühist:
 - (1) Ärge puutuge klemme elektrijuhtidega.
 - (2) Ärge hoidke akukassetti tööriistakassis koos metallsemetega, nagu naelad, mündid jne.
 - (3) Ärge tehke akukassetti märjaks ega jätke seda vihma kätte.Aku lühis võib põhjustada tugevat elektrivoolu, ülekuumenemist, põletusi ning ka seadet tõsiselt kahjustada.

6. Ärge hoidke tööriista ja akukassetti kohtades, kus temperatuur võib tõusta üle 50 °C.
7. Ärge põletage akukassetti isegi siis, kui see on saanud tõsiselt vigastada või on täiesti kulumud. Akukassett võib tules plahvatada.
8. Olge ettevaatlik, ärge laske akul maha kukkuda ja vältige lööke.
9. Ärge kasutage kahjustatud akut.
10. Sisalduvatele liitium-ioonakudele võivad kohalduda ohtlike kaupade õigusaktide nõuded. Kaubanduslikul transportimisel, näiteks kolmandate poolte või transpordiettevõtete poolt, tuleb järgida pakendil ja sihtidel toodud erinõudeid. Transportimiseks ettevalmistamisel on vajalik pidada nõu ohtliku materjali ekspertidega. Samuti tuleb järgida võimalike riiklike regulatsioonide üksikasjalikumaid nõudeid. Katke teibiga või varjake avatud kontaktid ja pakendage aku selliselt, et see ei saaks pakendis liikuda.
11. Järgige kasutuskõlbatuks muutunud aku käitlemisel kohalikke eeskirju.

HOIDKE JUHEND ALLES.

⚠ETTEVAATUST: Kasutage ainult Makita originaalakusid. Mitte Makita originaalakude või muudetud akude kasutamine võib põhjustada akude süttimise, kehavigastuse ja kahjustuse. Samuti muudab see kehtetuks Makita tööriista ja laadija Makita garantii.

Vihjeid aku maksimaalse kasutaja tagamise kohta

1. Laadige akukassetti enne selle täielikku tühjenemist. Kui märkate, et tööriist töötab väiksema võimsusega, peatage töö ja laadige akukassetti.
2. Ärge laadige täielikult laetud akukassetti. Ülelaadimine lühendab akude kasutusiga.
3. Laadige akukassetti toatemperatuuril 10 °C - 40 °C. Enne laadimist laske kuumenenud akukassetil maha jahtuda.

FUNKSIONAALNE KIRJELDUS

⚠ETTEVAATUST: Kandke alati hoolt selle eest, et tööriist oleks enne reguleerimist ja kontrollimist välja lülitatud ja akukassett eemaldatud.

Akukasseti paigaldamine või eemaldamine

⚠ETTEVAATUST: Lülitage tööriist alati enne akukasseti paigaldamist või eemaldamist välja.

⚠ETTEVAATUST: Akukasseti paigaldamisel või eemaldamisel tuleb tööriista ja akukassetti kindlalt paigal hoida. Kui tööriista ja akukassetti ei hoita kindlalt paigal, võivad need käest libiseda ning kahjustada tööriista ja akukassetti või põhjustada kehavigastusi.

► **Joon.1:** 1. Punane näidik 2. Nupp 3. Akukassett

Akukasseti eemaldamiseks libistage see tööriista küljest lahti, vajutades kasseti esiküljel paiknevat nuppu alla.

Akukasseti paigaldamiseks joondage akukasseti keel korpuse soonega ja libistage kassett oma kohale. Paigaldage akuadapter alati nii kaugele, et see lukustuks klõpsatusega oma kohale. Kui näete nupu ülaosas punast osa, pole kassett täielikult lukustunud.

⚠ETTEVAATUST: Paigaldage akukassett alati täies ulatuses nii, et punast osa ei jääks näha. Muidu võib adapter juhuslikult tööriistast välja kukkuda ning põhjustada teile või läheduses viibivatele isikutele vigastusi.






⚠ETTEVAATUST: Ärge rakendage akukasseti paigaldamisel jõudu. Kui kassett ei lähe kergesti sisse, pole see õigesti paigaldatud.

Aku jääkmahutavuse näit

Ainult näidikuga akukassettidele

► **Joon.2:** 1. Märkulambid 2. Kontrollimise nupp

Akukasseti järelejäanud mahutavuse kontrollimiseks vajutage kontrollimise nuppu. Märkulambid süttivad mõneks sekundiks.

Märkulambid	Jääkmahutavus
 Põleb Ei põle	
	75–100%
	50–75%
	25–50%
	0–25%

MÄRKUS: Näidatud mahutavus võib veidi erineda tegelikust mahutavusest olenevalt kasutustingimustest ja ümbritseva keskkonna temperatuurist.

Aku kaitsesüsteem

Tööriist on varustatud aku kaitsesüsteemiga. Süsteem lülitab mootori automaatselt välja, et pikendada aku tööiga.

Tööriist seiskub käitamise ajal automaatselt, kui tööriista ja/või aku kohta kehtivad järgmised tingimused:

Ülekoormus:

Tööriista kasutatakse viisil, mis põhjustab toitevoolu tugevuse tõusu lubatud kõrgemale. Sellisel juhul lülitage tööriist välja ning lõpetage tööriista ülekoormuse põhjustanud tegevus. Pärast seda käivitage tööriist uuesti. Kui tööriist ei käivitu, on aku üle kuumenenud. Sellises olukorras laske akul enne tööriista uuesti sisselülitamist jahtuda.

Madal akupinge:

Järelejäanud aku jääkmahtuvus on liiga väike ja tööriist ei hakka tööle. Tööriista sisse lülitades mootor ei tööta või siis mootor töötab, kuid jääb varsti seisma. Sellises olukorras eemaldage aku ja laadige see.

Lüliti funktsioneerimine

⚠ETTEVAATUST: Enne akukasseti paigaldamist tööriista sisse kontrollige alati, kas hooblülitifunktsioneerib õigesti ning liigub vabastamisel tagasi asendisse „OFF“ (VÄLJAS).

⚠ETTEVAATUST: Kuni te ei ole tööriista välja lülitanud, hoidke seda kindlat.

► **Joon.3:** 1. Hooblülit

Tööriista käivitamiseks on vaja lihtsalt hooblülitit tõmmata. Tööriista kiirus kasvab, kui suurendate survet hooblülitile. Seiskamiseks vabastage hooblülit.

Eesmise lambi süütamine

⚠ETTEVAATUST: Ärge vaadake otse valgusesse ega valgusallikat.

Mudelile DA332D

► **Joon.4:** 1. Lamp

Mudelile DA333D

► **Joon.5:** 1. Lamp

Tõmmake hooblülitit, et lamp süttiks. Lamp põleb seni, kuni hooblülitit tõmmatakse. Pärast hooblülitit vabastamist kustub tuli automaatselt umbes 10 sekundi pärast.

MÄRKUS: Pühkige lamp kuiva lapiga puhtaks. Olge seda tehes ettevaatlik, et lambi läätse mitte kriimustada, sest muidu võib valgustus väheneda.

Suunamuutmise lüliti töötamisviis

► **Joon.6:** 1. Suunamuutmise lüliti hoob

⚠ETTEVAATUST: Enne töö alustamist kontrollige alati pöörlemise suunda.

⚠ETTEVAATUST: Kasutage suunamuutmislülitit alles pärast tööriista täielikku seiskumist. Enne tööriista seiskumist suuna muutmine võib tööriista kahjustada.

⚠ETTEVAATUST: Kui tööriista ei kasutata, peab suunamuutmislülitit hoob olema alati neutraalses asendis.

Sellel tööriistal on suunamuutmise lüliti, millega saab muuta pöörlemise suunda. Suruge suunamuutmislülitit hoob A-küljel alla – tööriist pöörleb päripäeva, vastupäeva pöörlemiseks suruge see alla B-küljel. Kui suunamuutmise lüliti hoob on neutraalasendis, pole võimalik hooblülitit tõmmata.

KOKKUPANEK

⚠ETTEVAATUST: Kandke alati hoolt selle eest, et tööriist oleks enne igasuguseid hooldustööd välja lülitatud ja akukassett eemaldatud.

Puuri paigaldamine või eemaldamine

Valikuline tarvik

Mudelile DA332D

► **Joon.7:** 1. Puuripadrün

Puuri paigaldamiseks sisestage see võimalikult sügavale padrunitesse. Pingutage padrunit käsitsi. Pange puuripadrün kõigisse kolme auku ja pingutage päripäeva. Pingutage kindlasti kõiki kolme padrunit auku ühtlaselt. Puuri eemaldamiseks pöörake puuripadrunit vastupäeva ainult ühes augus ning seejärel keerake padrün käsitsi lahti.

Pärast kasutust asetage puuripadrün tööriista hoiuõnnesse tagasi.

Mudelile DA333D

► **Joon.8:** 1. Hülss

Hoidke tööriistast kindlalt kinni ja keerake padrunit pakki avamiseks hülssi vastupäeva. Paigaldage puur võimalikult sügavale padrunitesse. Hoidke tööriistast kindlalt kinni ja keerake padrunit pingutamiseks hülssi päripäeva.

Puuri eemaldamiseks hoidke tööriistast kindlalt kinni ja keerake hülssi vastupäeva.

Konksu paigaldamine

► **Joon.9:** 1. Soon 2. Konks 3. Krugi

Konksu abil saate tööriista ajutiselt kuhugi riputada. Selle võib paigaldada tööriista ükskõik kummale küljele. Konksu paigaldamiseks torgake see tööriista korpuse ükskõik kummal küljel olevasse õnarusse ja kinnitage kruviga. Eemaldamiseks lõdvendage kruvi ja võtke see siis välja.

Puuripadruni hoidik

Ainult mudelile DA332D (valikuline lisatarvik)

► **Joon.10:** 1. Puuripadruni hoidik 2. Krugi

Puuripadruni hoidiku paigaldamiseks kinnitage see tööriista korpuse kumerale osale ükskõik millisel poolel ja seejärel kinnitage kruviga. Eemaldamiseks lõdvendage kruvi ja võtke see siis välja.

TÖÖRIISTA KASUTAMINE

⚠ETTEVAATUST: Pange akukassett alati sisse nii sügavale, et see lukustuks oma kohale. Kui näete nupu ülaosas punast osa, pole kassett täielikult lukustunud. Sisestage see täies ulatuses nii, et punast osa ei jääks näha. Muidu võib adapter juhustlikult tööriistast välja kukkuda ning põhjustada teile või läheduses viibivatele isikutele vigastusi.

⚠ETTEVAATUST: Kui kiirus väheneb olulisel määral, siis vähendage koormust või seisake tööriist, et vältida tööriista kahjustamist.

⚠ETTEVAATUST: Tööriista kasutades hoidke seda kindlalt ühe käega haardepinnast.

Mudelile DA332D

► **Joon.11**

Mudelile DA333D

► **Joon.12**

Puurimisrežiim

Puidu puurimine

Puidu puurimise hõlbustamiseks kasutage juhtkruviga puure. Juhtkruvi lihtsustab puurimist, tõmmates kruvi-keeraja otsaku pinna sisse.

Metalli puurimine

Puuriotsaku liibemise vältimiseks puurimise alustamise hetkel, tehke puuritavassee kohta kärni ja haamriga märgi. Asetage puuriotsaku tipp märgi kohale ja alustage puurimist.

Metallide puurimisel kasutage lõikuri määrdetõli. Erandiks on raud ja messing, mida tuleks puurida kuival.

⚠ETTEVAATUST: Liiga suur surve seadmele ei kiirenda puurimist. Liigne surve hoopis kahjustab puuriotsaku tippu, vähendab seadme efektiivsust ja lühendab seadme tööiga.

⚠ETTEVAATUST: Hoidke tööriista kindlalt ning olge tähelepanelik, kui puuriotsak hakkab puuritava materjalist läbi tungima. Materjali läbistamisel rakendub tööriistale/puuriotsakule väga suur jõud.

⚠ETTEVAATUST: Kinnikiilunud puuriotsaku saab lihtsalt vabastada, kui muudate puuri pöörlemissuuna vastupidiseks. Kui tööriista ei hoita kindlalt, võib see ootamatult tagasi viskuda.

⚠ETTEVAATUST: Kinnitage töödeldavad esemed alati kruustangide või mõne sarnase kinnitusvahendiga.

⚠ETTEVAATUST: Kui tööriistaga töötatakse järjest seni, kuni akukasett on tühi, laske tööriistal enne uue akuga töö jätkamist 15 minutit seista.

HOOLDUS

⚠ETTEVAATUST: Enne kontroll- või hooldustoimingute tegemist kandke alati hoolt selle eest, et tööriist oleks välja lülitatud ja akukasett korpuse küljest eemaldatud.

TÄHELEPANU: Ärge kunagi kasutage bensiini, vedeldit, alkoholi ega midagi muud sarnast. Selle tulemuseks võib olla luitumine, deformatsioon või pragunemine.

Toote OHUTUSE ja TÖÖKINDLUSE tagamiseks tuleb vajalikud remonttööd ning muud hooldus- ja reguleerimistööd lasta teha Makita volitatud teeninduskeskustes või tehase teeninduskeskustes. Alati tuleb kasutada Makita varuosi.

VALIKULISED TARVIKUD

⚠ETTEVAATUST: Neid tarvikuid ja lisaseadiseid on soovitatav kasutada koos Makita tööriistaga, mille kasutamist selles kasutusjuhendis kirjeldatakse. Muude tarvikute ja lisaseadiste kasutamisega kaasneb vigastada saamise oht. Kasutage tarvikuid ja lisaseadiseid ainult otstarbekohaselt.

Saate vajaduse korral kohalikust Makita teeninduskeskusest lisateavet nende tarvikute kohta.

- Puurid
- Puuripadrün
- Puuripadrüni hoidik
- Konks
- Plastist kandekohver
- Makita algupärane aku ja laadija

MÄRKUS: Mõned nimekirjas loetletud tarvikud võivad kuuluda standardvarustusse ning need on lisatud tööriista pakendisse. Need võivad riigiti erineda.

ТЕХНИЧЕСКИЕ ХАРАКТЕРИСТИКИ

Модель:		DA332D	DA333D
Максимальный диаметр сверления	Сталь	10 мм	
	Дерево	12 мм	
Число оборотов без нагрузки		0 - 1 100 мин ⁻¹	
Общая длина		313 мм - 332 мм	
Номинальное напряжение		10,8 - 12 В пост. тока, макс.	
Блок аккумулятора		BL1015 / BL1016 / BL1020B / BL1021B / BL1040B / BL1041B	
Масса нетто		1,2 - 1,3 кг	1,2 - 1,4 кг

- Благодаря нашей постоянно действующей программе исследований и разработок указанные здесь технические характеристики могут быть изменены без предварительного уведомления.
- Технические характеристики и аккумуляторный блок могут отличаться в зависимости от страны.
- Масса может отличаться в зависимости от дополнительного оборудования. Обратите внимание, что блок аккумулятора также считается дополнительным оборудованием. В таблице представлены комбинации с наибольшим и наименьшим весом в соответствии с процедурой ЕРТА 01/2014.

Назначение

Инструмент предназначен для сверления древесины, металла и пластика.

Шум

Типичный уровень взвешенного звукового давления (A), измеренный в соответствии с EN60745:

Модель DA332D

Уровень звукового давления (L_{pA}): 70 дБ (или менее)

Погрешность (K): 3 дБ (A)

Модель DA333D

Уровень звукового давления (L_{pA}): 70 дБ (или менее)

Погрешность (K): 3 дБ (A)

Уровень шума при выполнении работ может превышать 80 дБ (A).

⚠ ОСТОРОЖНО: Используйте средства защиты слуха.

Вибрация

Суммарное значение вибрации (сумма векторов по трем осям), определенное в соответствии с EN60745:

Модель DA332D

Рабочий режим: сверление металла

Распространение вибрации ($a_{h,D}$): 2,5 м/с² или менее

Погрешность (K): 1,5 м/с²

Модель DA333D

Рабочий режим: сверление металла

Распространение вибрации ($a_{h,D}$): 3,0 м/с²

Погрешность (K): 1,5 м/с²

ПРИМЕЧАНИЕ: Заявленное значение распространения вибрации измерено в соответствии со стандартной методикой испытаний и может быть использовано для сравнения инструментов.

ПРИМЕЧАНИЕ: Заявленное значение распространения вибрации можно также использовать для предварительных оценок воздействия.

⚠ ОСТОРОЖНО: Распространение вибрации во время фактического использования электроинструмента может отличаться от заявленного значения в зависимости от способа применения инструмента.

⚠ ОСТОРОЖНО: Обязательно определите меры безопасности для защиты оператора, основанные на оценке воздействия в реальных условиях использования (с учетом всех этапов рабочего цикла, таких как выключение инструмента, работа без нагрузки и включение).

Декларация о соответствии ЕС

Только для европейских стран

Декларация о соответствии ЕС включена в руководство по эксплуатации (Приложение А).

МЕРЫ БЕЗОПАСНОСТИ

Общие рекомендации по технике безопасности для электроинструментов

▲ОСТОРОЖНО: Ознакомьтесь со всеми представленными инструкциями по технике безопасности, указаниями, иллюстрациями и техническими характеристиками, прилагаемыми к данному электроинструменту. Несоблюдение каких-либо инструкций, указанных ниже, может привести к поражению электрическим током, пожару и/или серьезной травме.

Сохраните брошюру с инструкциями и рекомендациями для дальнейшего использования.

Термин "электроинструмент" в предупреждениях относится ко всему инструменту, работающему от сети (с проводом) или на аккумуляторах (без провода).

Меры безопасности при использовании аккумуляторной дрели

1. Используйте дополнительную ручку (если входит в комплект инструмента). Утрата контроля над инструментом может привести к травме.
2. Если при выполнении работ существует риск контакта режущего инструмента со скрытой электропроводкой, держите электроинструмент за специально предназначенные изолированные поверхности. Контакт режущего инструмента с проводом под напряжением может привести к тому, что металлические детали инструмента также будут под напряжением, что может стать причиной поражения оператора электрическим током.
3. При выполнении работ всегда занимайте устойчивое положение. При использовании инструмента на высоте убедитесь в отсутствии людей внизу.
4. Крепко держите инструмент.
5. Руки должны находиться на расстоянии от вращающихся деталей.
6. Не оставляйте работающий инструмент без присмотра. Включайте инструмент только тогда, когда он находится в руках.
7. Сразу после окончания работ не прикасайтесь к головке сверла или детали. Они могут быть очень горячими, что приведет к ожогам кожи.
8. Некоторые материалы могут содержать токсичные химические вещества. Примите соответствующие меры предосторожности, чтобы избежать вдыхания или контакта с кожей таких веществ. Соблюдайте требования, указанные в паспорте безопасности материала.

9. Если головку сверла не удается ослабить даже с помощью открывания зажимов, воспользуйтесь плоскогубцами, чтобы вытянуть ее. Вытягивание головки сверла вручную может привести к травмированию ее острой кромкой.

СОХРАНИТЕ ДАННЫЕ ИНСТРУКЦИИ.

▲ОСТОРОЖНО: НЕ ДОПУСКАЙТЕ, чтобы удобство или опыт эксплуатации данного устройства (полученный от многократного использования) доминировали над строгим соблюдением правил техники безопасности при обращении с этим устройством. **НЕПРАВИЛЬНОЕ ИСПОЛЬЗОВАНИЕ** инструмента или несоблюдение правил техники безопасности, указанных в данном руководстве, может привести к тяжелой травме.

Важные правила техники безопасности для работы с аккумуляторным блоком

1. Перед использованием аккумуляторного блока прочитайте все инструкции и предупреждающие надписи на (1) зарядном устройстве, (2) аккумуляторном блоке и (3) инструменте, работающем от аккумуляторного блока.
2. Не разбирайте аккумуляторный блок.
3. Если время работы аккумуляторного блока значительно сократилось, немедленно прекратите работу. В противном случае, может возникнуть перегрев блока, что приведет к ожогам и даже к взрыву.
4. В случае попадания электролита в глаза промойте их обильным количеством чистой воды и немедленно обратитесь к врачу. Это может привести к потере зрения.
5. Не замыкайте контакты аккумуляторного блока между собой:
 - (1) Не прикасайтесь к контактам какими-либо токопроводящими предметами.
 - (2) Не храните аккумуляторный блок в контейнере вместе с другими металлическими предметами, такими как гвозди, монеты и т. п.
 - (3) Не допускайте попадания на аккумуляторный блок воды или дождя.Замыкание контактов аккумуляторного блока между собой может привести к возникновению большого тока, перегреву, возможным ожогам и даже поломке блока.
6. Не храните инструмент и аккумуляторный блок в местах, где температура может достигать или превышать 50 °C (122 °F).
7. Не бросайте аккумуляторный блок в огонь, даже если он сильно поврежден или полностью вышел из строя. Аккумуляторный блок может взорваться под действием огня.

8. Не роняйте и не ударяйте аккумуляторный блок.
9. Не используйте поврежденный аккумуляторный блок.
10. Входящие в комплект литий-ионные аккумуляторы должны эксплуатироваться в соответствии с требованиями законодательства об опасных товарах.
При коммерческой транспортировке, например, третьей стороной или экспедитором, необходимо нанести на упаковку специальные предупреждения и маркировку.
В процессе подготовки устройства к отправке обязательно проконсультируйтесь со специалистом по опасным материалам. Также соблюдайте местные требования и нормы. Они могут быть строже.
Закройте или закрепите разомкнутые контакты и упакуйте аккумулятор так, чтобы он не перемещался по упаковке.
11. Выполняйте требования местного законодательства относительно утилизации аккумуляторного блока.

СОХРАНИТЕ ДАННЫЕ ИНСТРУКЦИИ.

⚠ВНИМАНИЕ: Используйте только фирменные аккумуляторные батареи Makita. Использование аккумуляторных батарей, не произведенных Makita, или батарей, которые были подвергнуты модификациям, может привести к взрыву аккумулятора, пожару, травмам и повреждению имущества. Это также автоматически аннулирует гарантию Makita на инструмент и зарядное устройство Makita.

Советы по обеспечению максимального срока службы аккумулятора

1. Заряжайте блок аккумуляторов перед его полной разрядкой. Обязательно прекратите работу с инструментом и зарядите блок аккумуляторов, если вы заметили снижение мощности инструмента.
2. Никогда не подзаряжайте полностью заряженный блок аккумуляторов. Перезарядка сокращает срок службы аккумулятора.
3. Заряжайте блок аккумуляторов при комнатной температуре в 10 - 40 °C (50 - 104 °F). Перед зарядкой горячего блока аккумуляторов дайте ему остыть.

ОПИСАНИЕ РАБОТЫ

⚠ВНИМАНИЕ: Перед регулировкой или проверкой функций инструмента обязательно убедитесь, что он выключен и его аккумуляторный блок снят.

Установка или снятие блока аккумуляторов

⚠ВНИМАНИЕ: Обязательно выключайте инструмент перед установкой и извлечением аккумуляторного блока.

⚠ВНИМАНИЕ: При установке и извлечении аккумуляторного блока крепко удерживайте инструмент и аккумуляторный блок. Если не соблюдать это требование, они могут выскользнуть из рук, что приведет к повреждению инструмента, аккумуляторного блока и травмированию оператора.

► **Рис.1:** 1. Красный индикатор 2. Кнопка 3. Блок аккумулятора

Для снятия аккумуляторного блока нажмите кнопку на лицевой стороне и извлеките блок.

Для установки аккумуляторного блока совместите выступ аккумуляторного блока с пазом в корпусе и задвиньте его на место. Устанавливайте блок до упора так, чтобы он зафиксировался на месте с небольшим щелчком. Если вы можете видеть красный индикатор на верхней части клавиши, адаптер аккумулятора не полностью установлен на месте.

⚠ВНИМАНИЕ: Обязательно устанавливайте аккумуляторный блок до конца, чтобы красный индикатор не был виден. В противном случае аккумуляторный блок может выпасть из инструмента и нанести травму вам или другим людям.



⚠ВНИМАНИЕ: Не прилагайте чрезмерных усилий при установке аккумуляторного блока. Если блок не двигается свободно, значит он вставлен неправильно.

Индикация оставшегося заряда аккумулятора

Только для блоков аккумулятора с индикатором

► **Рис.2:** 1. Индикаторы 2. Кнопка проверки

Нажмите кнопку проверки на аккумуляторном блоке для проверки заряда. Индикаторы загорятся на несколько секунд.

Индикаторы		Уровень заряда
 Горит	 Выкл.	
		от 75 до 100%
		от 50 до 75%
		от 25 до 50%
		от 0 до 25%

ПРИМЕЧАНИЕ: В зависимости от условий эксплуатации и температуры окружающего воздуха индикация может незначительно отличаться от фактического значения.

Система защиты аккумулятора

На инструменте предусмотрена система защиты аккумулятора. Она автоматически отключает питание двигателя для продления срока службы аккумулятора.

Инструмент автоматически остановится во время работы при возникновении указанных ниже ситуаций.

Перегрузка:

Из-за способа эксплуатации инструмент потребляет очень большое количество тока.

В этом случае выключите инструмент и прекратите работу, повлекшую перегрузку инструмента. Затем включите инструмент для перезапуска.

Если инструмент не включается, значит перегрелся аккумуляторный блок. В этом случае дайте аккумулятору остыть перед повторным включением инструмента.

Низкое напряжение аккумуляторной батареи:

Уровень оставшейся емкости аккумулятора слишком низкий, и инструмент не работает. При включении инструмента электродвигатель не запускается или запускается и вскоре останавливается. В этом случае снимите и зарядите аккумулятор.

Действие выключателя

ВНИМАНИЕ: Перед установкой блока аккумулятора в инструмент обязательно убедитесь, что его рычаг переключателя нормально работает и возвращается в положение «OFF» (ВЫКЛ.) при отпускании.

ВНИМАНИЕ: Крепко удерживайте инструмент до его отключения.

► Рис.3: 1. Рычаг переключателя

Для включения инструмента достаточно просто нажать на рычаг переключателя. Для увеличения числа оборотов нажмите на рычаг переключателя сильнее. Для выключения инструмента отпустите рычаг переключателя.

Включение передней лампы

ВНИМАНИЕ: Не смотрите непосредственно на свет или источник света.

Для модели DA332D

► Рис.4: 1. Лампа

Для модели DA333D

► Рис.5: 1. Лампа

Нажмите на рычаг переключателя для включения лампы. Лампа будет светиться до тех пор, пока рычаг переключателя будет оставаться в нажатом положении. После того как рычаг переключателя будет отпущен, лампа выключится автоматически через приблизительно 10 секунд.

ПРИМЕЧАНИЕ: Для удаления пыли с линзы лампы используйте сухую ткань. Не допускайте возникновения царапин на линзе лампы, так как это приведет к снижению освещенности.

Действие реверсивного переключателя

► Рис.6: 1. Рычаг реверсивного переключателя

ВНИМАНИЕ: Перед работой всегда проверьте направление вращения.

ВНИМАНИЕ: Используйте реверсивный переключатель только после полной остановки инструмента. Изменение направления вращения до полной остановки инструмента может привести к его повреждению.

ВНИМАНИЕ: Если инструмент не используется, обязательно переведите рычаг реверсивного переключателя в нейтральное положение.

Этот инструмент оборудован реверсивным переключателем для изменения направления вращения. Нажмите на рычаг реверсивного переключателя со стороны А для вращения по часовой стрелке или со стороны В для вращения против часовой стрелки. Когда рычаг реверсивного переключателя находится в нейтральном положении, рычаг переключателя не может быть нажат.

СБОРКА

ВНИМАНИЕ: Перед проведением каких-либо работ с инструментом обязательно убедитесь, что инструмент отключен, а блок аккумулятора снят.

Установка или снятие головки сверла

Дополнительные принадлежности

Для модели DA332D

► Рис.7: 1. Патронный ключ

Для установки головки сверла вставьте ее до упора в сверлильный патрон. Вручную затяните зажимной патрон. Вставьте патронный ключ в каждое из трех отверстий и затяните его по часовой стрелке. Обязательно затягивайте все три отверстия патрона равномерно.

Для снятия головки сверла поверните патронный ключ против часовой стрелки только в одном отверстии, затем ослабьте патрон вручную.

После использования установите патронный ключ обратно в выемку для хранения на инструменте.

Для модели DA333D

► Рис.8: 1. Муфта

Прочно удерживая инструмент, поверните муфту против часовой стрелки для открытия кулачков зажимного патрона. Вставьте головку сверла в зажимный патрон до упора. Крепко удерживая инструмент, поверните муфту по часовой стрелке для фиксации зажимного патрона.

Для снятия головки сверла крепко удерживайте инструмент и поверните муфту против часовой стрелки.

Установка крючка

► Рис.9: 1. Паз 2. Крючок 3. Винт

Крючок удобен для временного подвешивания инструмента. Он может быть установлен с любой стороны инструмента. Для установки крючка вставьте его в паз в корпусе инструмента с одной из сторон и закрепите при помощи винта. Чтобы снять крючок, необходимо сначала отвернуть винт.

Держатель патронного ключа

Только для модели DA332D (дополнительная принадлежность)

► Рис.10: 1. Держатель патронного ключа 2. Винт

Для установки держателя патронного ключа вставьте его в выступающую часть корпуса инструмента с одной из сторон и закрепите его при помощи винта. Для снятия ослабьте винт и извлеките его.

ЭКСПЛУАТАЦИЯ

ВНИМАНИЕ: Всегда устанавливайте блок аккумулятора до упора так, чтобы он зафиксировался на месте. Если вы можете видеть красный индикатор на верхней части клавиши, блок аккумулятора не полностью установлен на месте. Установите его до конца так, чтобы красный индикатор был не виден. В противном случае блок может выпасть из инструмента и нанести травму вам или другим людям.

ВНИМАНИЕ: В случае значительного снижения оборотов уменьшите нагрузку или остановите инструмент во избежание его повреждения.

ВНИМАНИЕ: Во время работы крепко держите инструмент одной рукой за рукоятку.

Для модели DA332D

► Рис.11

Для модели DA333D

► Рис.12

Сверление

Сверление дерева

При сверлении дерева наилучшие результаты достигаются с применением сверл для дерева с направляющим винтом. Направляющий винт упрощает сверление, удерживая головку сверла в обрабатываемой детали.

Сверление металла

Для предотвращения скольжения сверла при начале сверления сделайте углубление с помощью кернера и молотка в точке сверления. Вставьте острие головки сверла в углубление и начните сверление. При сверлении металлов пользуйтесь смазочно-охлаждающей жидкостью. Исключение составляют железо и латунь, которые надо сверлить насухо.

ВНИМАНИЕ: Чрезмерное нажатие на инструмент не ускорит сверление. На самом деле, чрезмерное давление только повредит наконечник головки сверла, снизит производительность инструмента и сократит срок его службы.

ВНИМАНИЕ: Крепко удерживайте инструмент и будьте осторожны, когда головка сверла начинает проходить сквозь обрабатываемую деталь. В момент выхода головки сверла из детали возникает огромное усилие на инструмент/сверло.

ВНИМАНИЕ: Заклинившая головка сверла может быть без проблем извлечена из обрабатываемой детали путем изменения направления вращения при помощи реверсивного переключателя. Однако если вы не будете крепко держать инструмент, он может резко сдвинуться назад.

ВНИМАНИЕ: Всегда закрепляйте обрабатываемые детали в тисках или аналогичном зажимном устройстве.

ВНИМАНИЕ: Если инструмент эксплуатировался непрерывно до разряда блока аккумулятора, сделайте перерыв на 15 минут перед началом работы с заряженным аккумулятором.

ОБСЛУЖИВАНИЕ

ВНИМАНИЕ: Перед проведением проверки или работ по техобслуживанию всегда проверяйте, что инструмент выключен, а блок аккумулятора снят.

ПРИМЕЧАНИЕ: Запрещается использовать бензин, растворители, спирт и другие подобные жидкости. Это может привести к обесцвечиванию, деформации и трещинам.

Для обеспечения БЕЗОПАСНОСТИ и НАДЕЖНОСТИ оборудования ремонт, любое другое техобслуживание или регулировку необходимо производить в уполномоченных сервис-центрах Makita или сервис-центрах предприятия с использованием только сменных частей производства Makita.

ДОПОЛНИТЕЛЬНЫЕ ПРИНАДЛЕЖНОСТИ

⚠ ВНИМАНИЕ: Данные принадлежности или приспособления рекомендуются для использования с инструментом Makita, указанным в настоящем руководстве. Использование других принадлежностей или приспособлений может привести к получению травмы. Используйте принадлежность или приспособление только по указанному назначению.

Если вам необходимо содействие в получении дополнительной информации по этим принадлежностям, свяжитесь с вашим сервис-центром Makita.

- Головки сверл
- Патронный ключ
- Держатель патронного ключа
- Крючок
- Пластмассовый чемодан для переноски
- Оригинальный аккумулятор и зарядное устройство Makita

ПРИМЕЧАНИЕ: Некоторые элементы списка могут входить в комплект инструмента в качестве стандартных приспособлений. Они могут отличаться в зависимости от страны.

Makita Europe N.V. Jan-Baptist Vinkstraat 2,
3070 Kortenberg, Belgium

Makita Corporation 3-11-8, Sumiyoshi-cho,
Anjo, Aichi 446-8502 Japan

www.makita.com

885606-988
EN, SV, NO, FI, LV,
LT, ET, RU
20170515